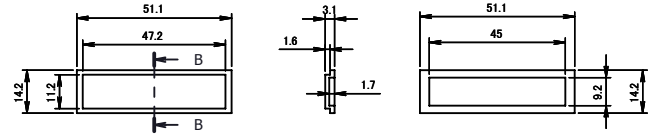
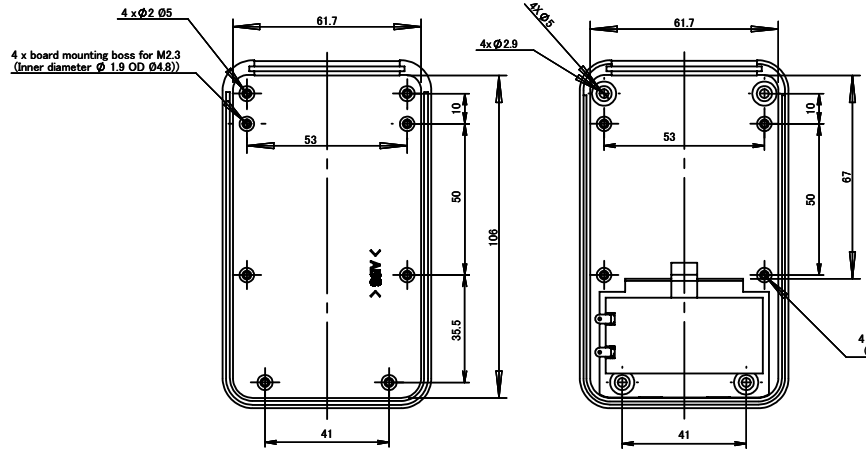
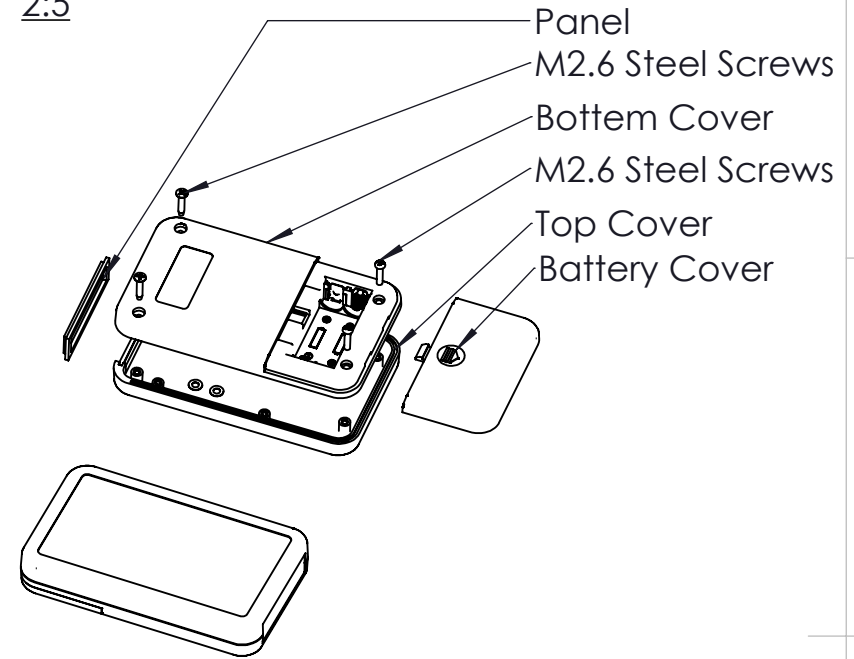
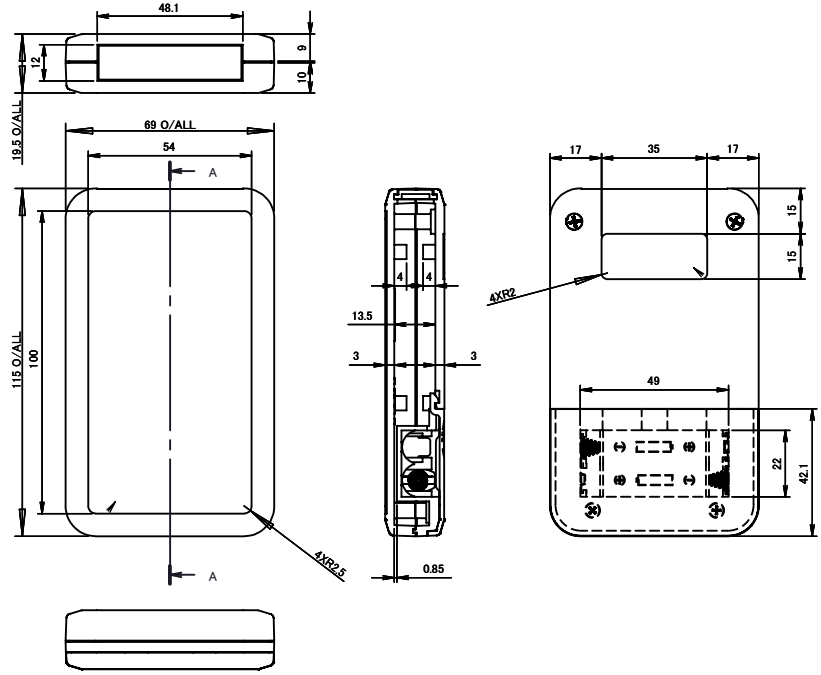


ASSEMBLY

ISO VIEW
2:5



PANEL

TOP

BASE

<p>CAMDENBOSS JAMES CARTER RD, MILDENHALL, SUFFOLK. IP28 7DE TEL: 01638 716101 FAX: 01638 716554 EMAIL: Sales@CamdenBoss.com WEB: www.CamdenBoss.com</p>		UNLESS OTHERWISE SPECIFIED: DIMENSIONS ARE IN MILLIMETERS	DO NOT SCALE DRAWING	REVISION. <input type="checkbox"/>			
		GENERAL TOLERANCES +/- 0.2	TITLE: 87 SERIES SILICON COVER ENCLOSURES, SIZE 1, DARK GREY, BATTERY COMPARTMENT, 115x69x19.5				
	NAME	SIGNED	DATE	MATERIAL.	DWG NO.	CHH871DGA	A4
DRAWN	LEWIS LETCHFORD	LL	10/01/2014	ABS UL94-V0			
CHKD	IAN PAGANO	I.P	19/02/14	PROJECTION.	SCALE: 2:5	SHEET 1 OF 1	