

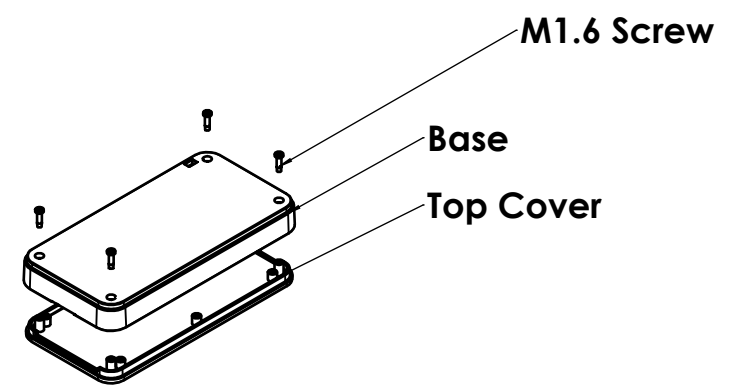
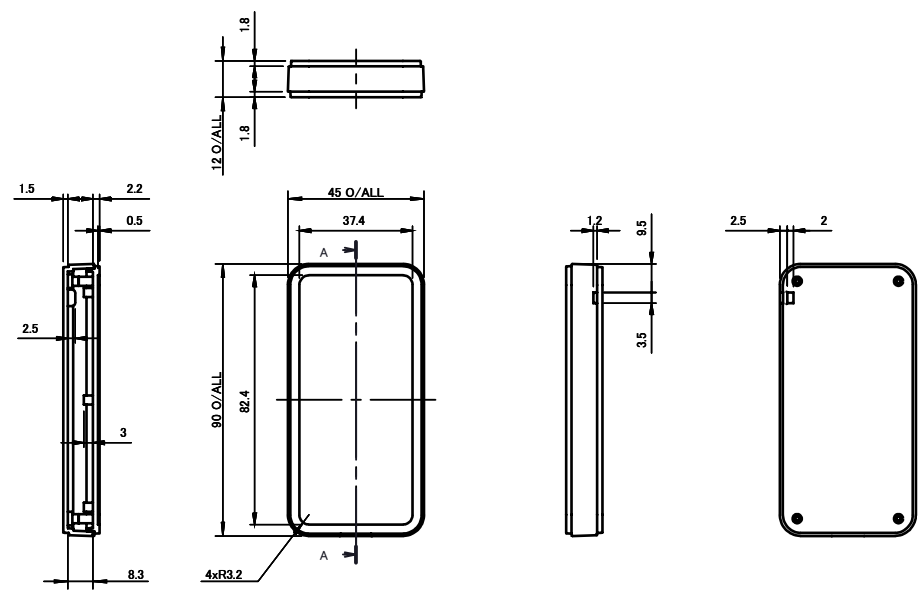
1 2 3 4 5 6

A

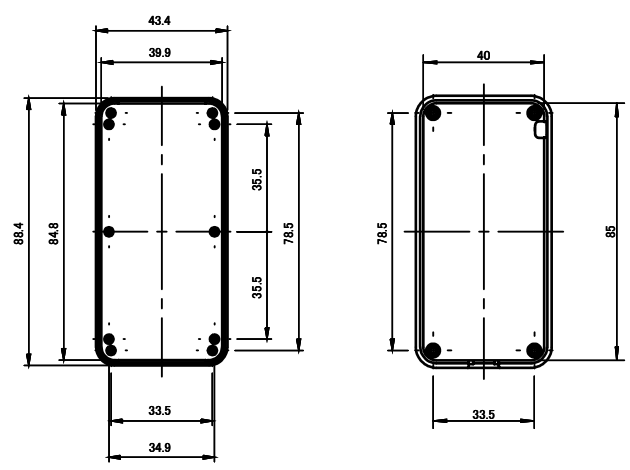
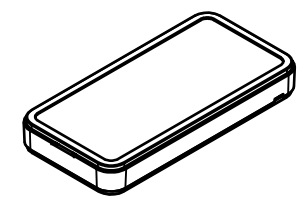
B



C

D



ISO VIEW  
2:5



 <b>CAMDENBOSS</b> JAMES CARTER RD, MILDENHALL, SUFFOLK. IP28 7DE TEL: 01638 716101 FAX: 01638 716554 EMAIL: Sales@CamdenBoss.com WEB: www.CamdenBoss.com		UNLESS OTHERWISE SPECIFIED: DIMENSIONS ARE IN MILLIMETERS		DO NOT SCALE DRAWING		REVISION. <input type="checkbox"/>		
		GENERAL TOLERANCES +/- 0.2		TITLE: <b>80 SERIES SLIM PLASTIC ENCLOSURE, BLACK, 90x45x12</b>				
		FINISH. FINE TEXTURE		DWG. NO. <b>CHH802NBK</b>		A4		
DRAWN	LEWIS LETCHFORD	SIGNED	LL	DATE	29/01/2014	MATERIAL. ABS UL94-HB		
CHK'D	-	-	-	-	-	PROJECTION. 	SCALE: 2:5	SHEET 1 OF 1

1 2 3 4 5 6