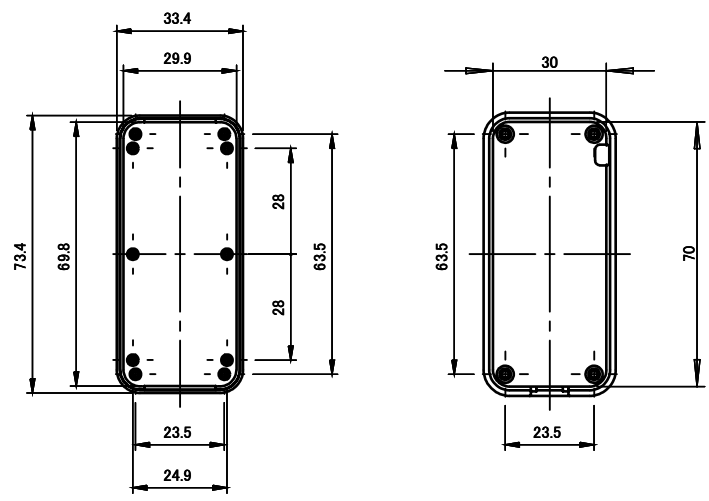
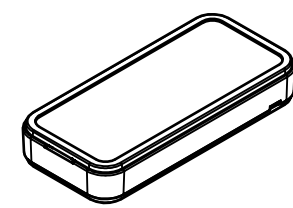




ISO VIEW  
1:2



 <b>CAMDENBOSS</b> JAMES CARTER RD, MILDENHALL, SUFFOLK. IP28 7DE TEL: 01638 716101 FAX: 01638 716554 EMAIL: Sales@CamdenBoss.com WEB: www.CamdenBoss.com		UNLESS OTHERWISE SPECIFIED: DIMENSIONS ARE IN MILLIMETERS		DO NOT SCALE DRAWING		REVISION. <input type="checkbox"/>	
		GENERAL TOLERANCES +/- 0.2		TITLE: <b>80 SERIES SLIM PLASTIC ENCLOSURE, WHITE, 75x35x12</b>			
		FINISH. FINE TEXTURE		DWG NO. <b>CHH801NWH</b>		A4	
DRAWN	LEWIS LETCHFORD	SIGNED	LL	DATE	29/01/2014	MATERIAL. ABS UL94-HB	
CHK'D	-	-	-	-	-	PROJECTION. 	SCALE. 1:2
						SHEET 1 OF 1	