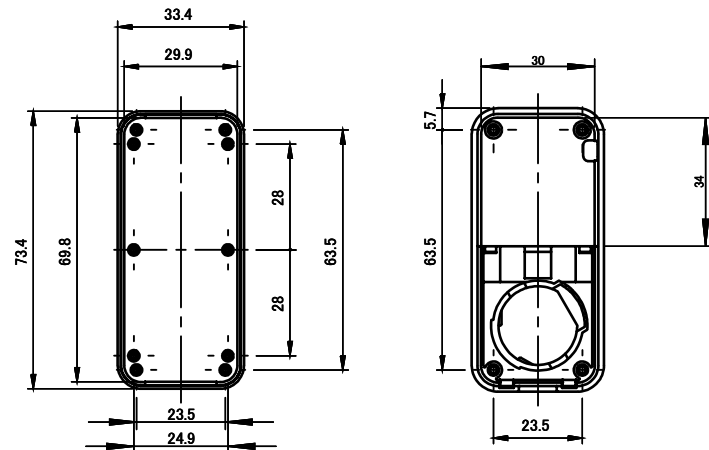
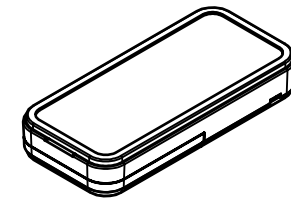
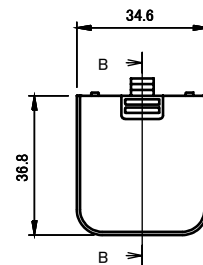
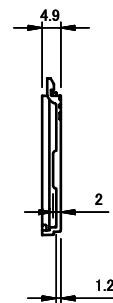
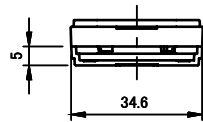



ISO VIEW
2:4



 CAMDENBOSS JAMES CARTER RD, MILDENHALL, SUFFOLK. IP28 7DE TEL: 01638 716101 FAX: 01638 716554 EMAIL: Sales@CamdenBoss.com WEB: www.CamdenBoss.com		UNLESS OTHERWISE SPECIFIED: DIMENSIONS ARE IN MILLIMETERS		DO NOT SCALE DRAWING		REVISION. ○	
		GENERAL TOLERANCES +/- 0.2		TITLE: 80 SERIES SLIM PLASTIC ENCLOSURE, WHITE, 75x35x12			
DRAWN		NAME		MATERIAL.		DWG NO.	
LEWIS LETCHFORD		L.L.		ABS UL94-HB		CHH801BWH	
CHK'D		SIGNED		PROJECTION.		SCALE: 2:4	
-		-		-		SHEET 1 OF 1	
		DATE		09/01/2014		A4	