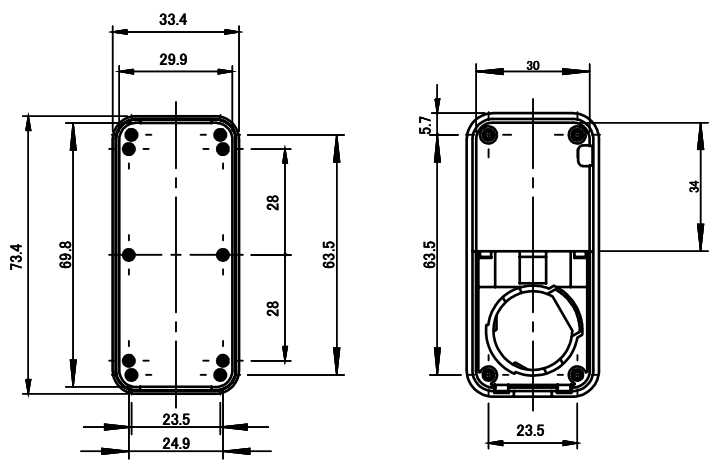
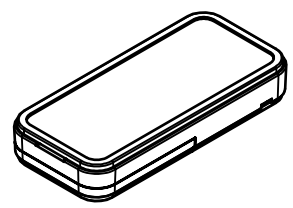
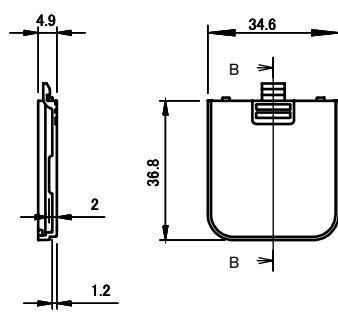
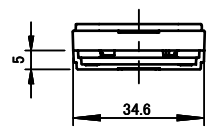



ISO VIEW  
2:4



 <b>CAMDENBOSS</b> JAMES CARTER RD, MILDENHALL, SUFFOLK. IP28 7DE TEL: 01638 716101 FAX: 01638 716554 EMAIL: Sales@CamdenBoss.com WEB: www.CamdenBoss.com		UNLESS OTHERWISE SPECIFIED: DIMENSIONS ARE IN MILLIMETERS		DO NOT SCALE DRAWING		REVISION. ○	
		GENERAL TOLERANCES +/- 0.2		TITLE: <b>80 SERIES SLIM PLASTIC ENCLOSURE, BLACK, 75x35x12</b>			
DRAWN		NAME		MATERIAL.		DWG NO.	
LEWIS LETCHFORD		L.L.		ABS UL94-HB		<b>CHH801BBK</b>	
CHKD		SIGNED		PROJECTION.		SCALE: 2:4	
-		-		-		SHEET 1 OF 1	
09/01/2014		DATE		A4			