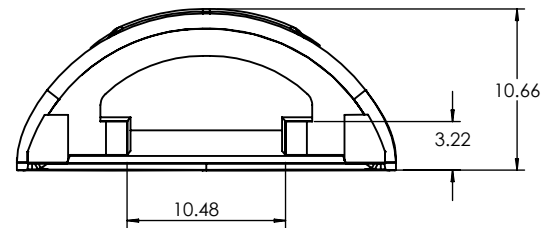
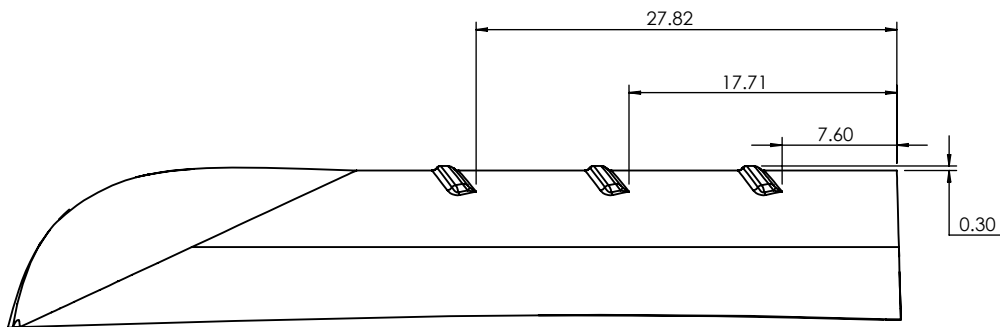




ISO VIEW
1:1



 CAMDENBOSS JAMES CARTER RD, MILDENHALL, SUFFOLK. IP28 7DE TEL: 01638 716101 FAX: 01638 716554 EMAIL: Sales@CamdenBoss.com WEB: www.CamdenBoss.com				UNLESS OTHERWISE SPECIFIED: DIMENSIONS ARE IN MILLIMETERS	DO NOT SCALE DRAWING	REVISION. <input type="radio"/>
				GENERAL TOLERANCES +/- 0.2	TITLE: GENERAL DIMENSION DRAWING FOR CHH66C1BL	
	NAME	SIGNED	DATE	MATERIAL.	DWG NO.	CHH66C1BL
DRAWN	IAN PAGANO	I.P.	08/08/13	VAR		
CHKD	-	-	-	PROJECTION. 	SCALE: 2:1	SHEET 1 OF 1

1 2 3 4 5 6

A

A

B

B

C

C

D

1 2 3

A4