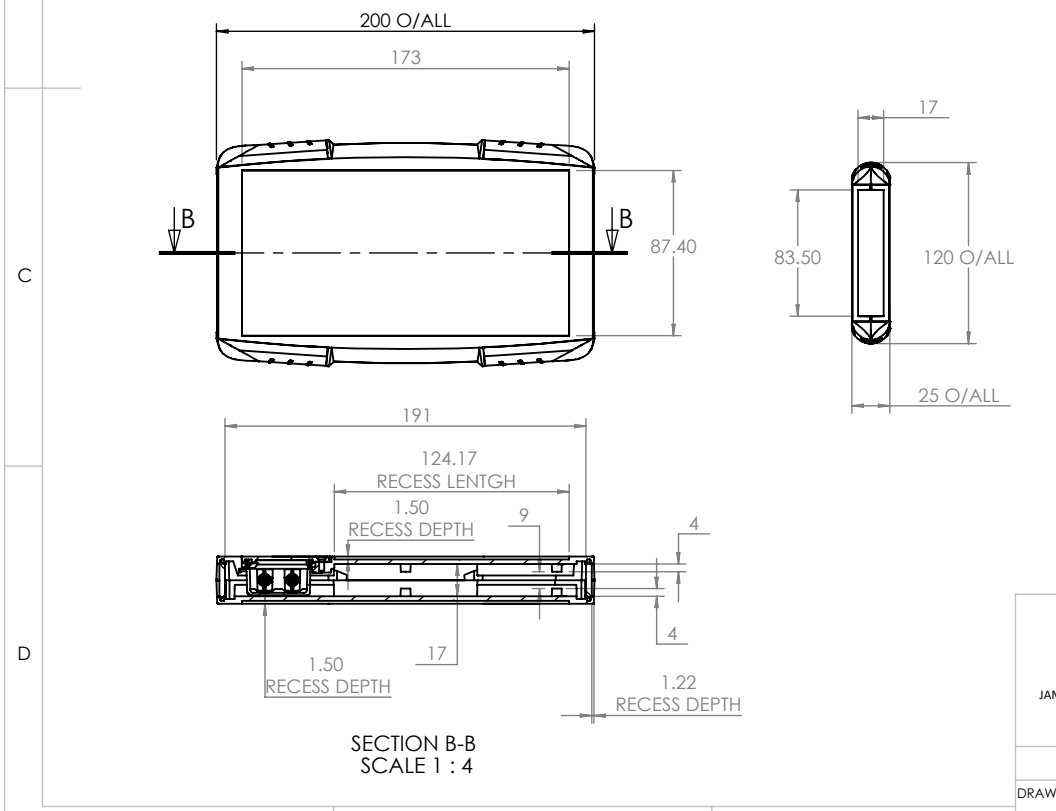
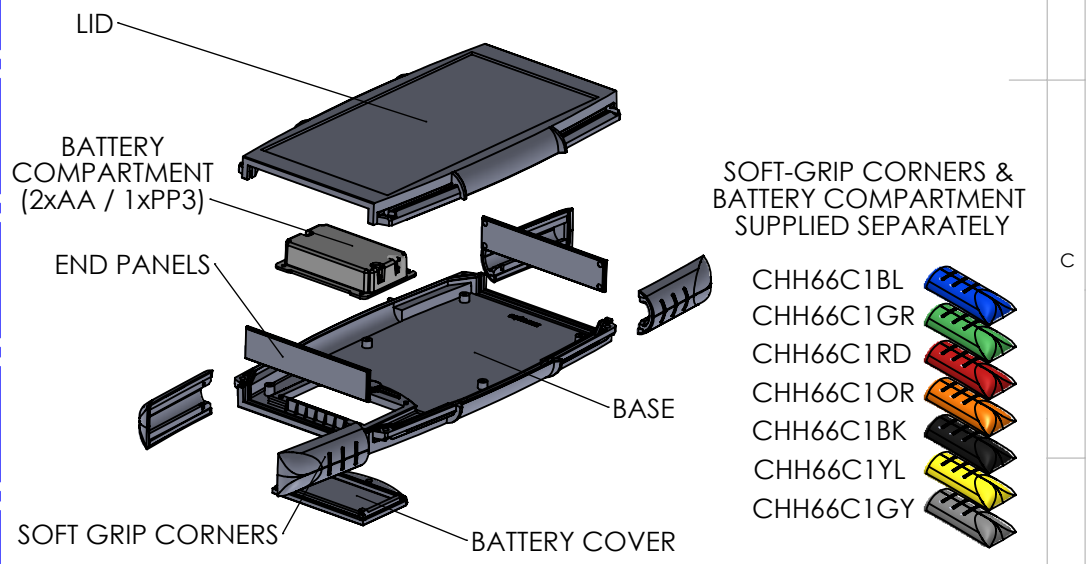


LID

BASE



SECTION B-B  
SCALE 1 : 4



SOFT-GRIP CORNERS & BATTERY COMPARTMENT SUPPLIED SEPARATELY

- CHH66C1BL
- CHH66C1GR
- CHH66C1RD
- CHH66C1OR
- CHH66C1BK
- CHH66C1YL
- CHH66C1GY

<p><b>CAMDENBOSS</b> JAMES CARTER RD, MILDENHALL, SUFFOLK. IP28 7DE TEL: 01638 716101 FAX: 01638 716554 EMAIL: Sales@CamdenBoss.com WEB: www.CamdenBoss.com</p>		UNLESS OTHERWISE SPECIFIED: DIMENSIONS ARE IN MILLIMETERS	DO NOT SCALE DRAWING	REVISION. 0	
		GENERAL TOLERANCES +/- 0.2	TITLE: <b>GNL ASSEMBLY DRG FOR 66 SERIES</b>		
	NAME	SIGNED	DATE	MATERIAL. <b>UL94-VO ABS BLACK</b>	DWG NO. <b>CHH665BBK</b>
DRAWN	IAN PAGANO	I.P.	11/01/13	PROJECTION.	SCALE.
CHKD	-	-	-		SHEET 1 OF 1

A4