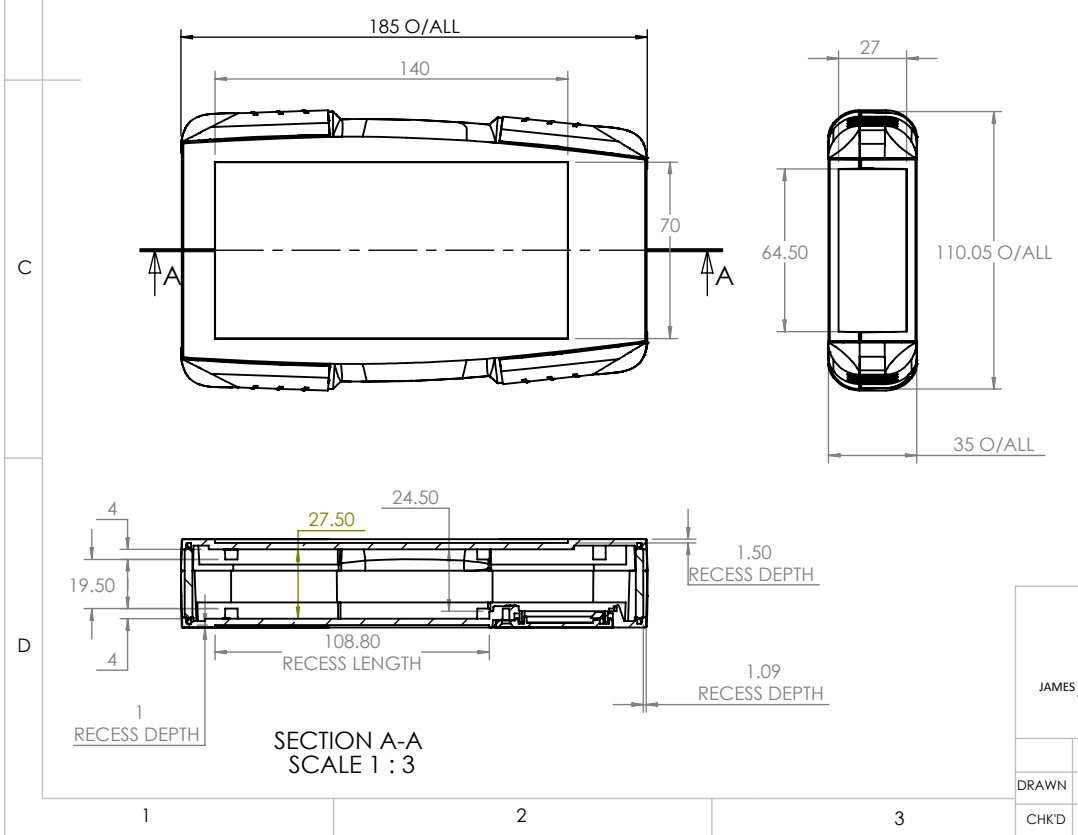
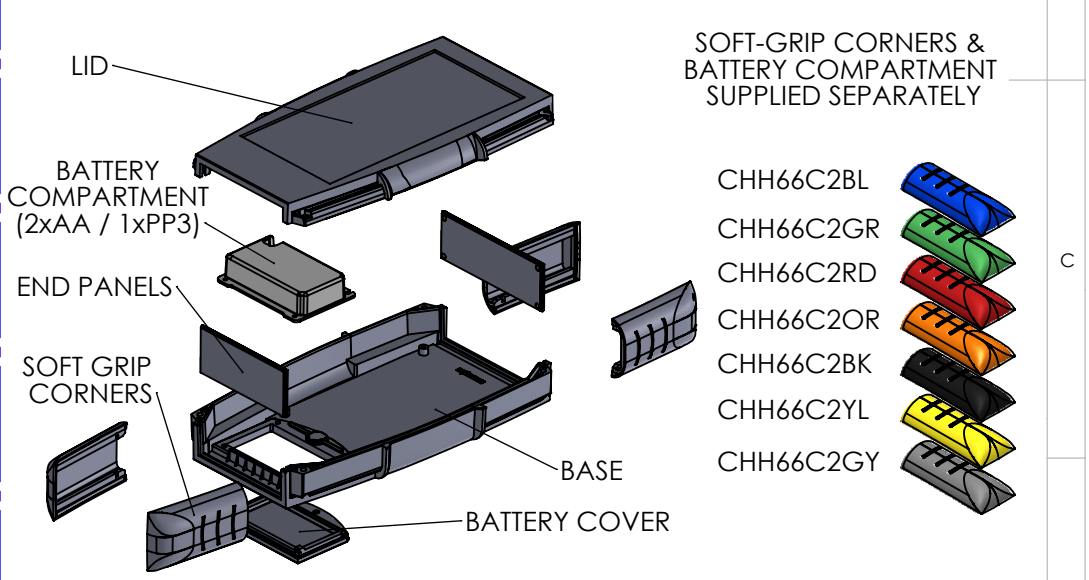


LID

BASE



SECTION A-A
SCALE 1 : 3



<p>CAMDENBOSS JAMES CARTER RD, MILDENHALL, SUFFOLK. IP28 7DE TEL: 01638 716101 FAX: 01638 716554 EMAIL: Sales@CamdenBoss.com WEB: www.CamdenBoss.com</p>		UNLESS OTHERWISE SPECIFIED: DIMENSIONS ARE IN MILLIMETERS		DO NOT SCALE DRAWING		REVISION. O	
		GENERAL TOLERANCES +/- 0.2		TITLE: GNL ASSEMBLY DRG FOR 66 SERIES			
DRAWN IAN PAGANO		SIGNED I.P.		DATE 11/01/13		MATERIAL: UL94-VO ABS GREY	
CHKD -		-		-		DWG NO. CHH664BGY	
				PROJECTION.		SCALE. SHEET 1 OF 1	