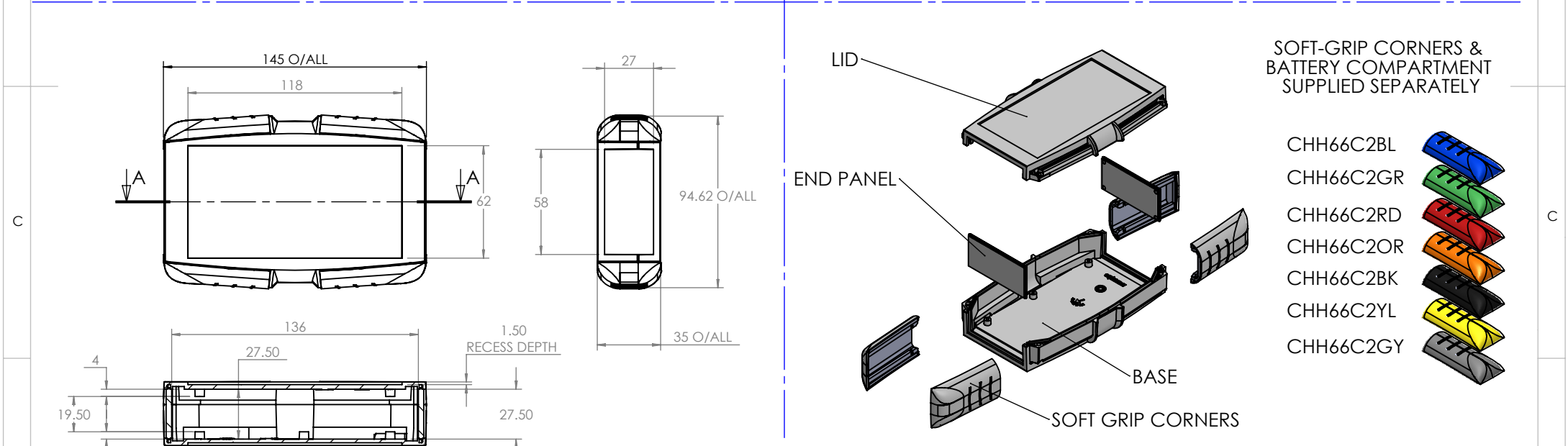


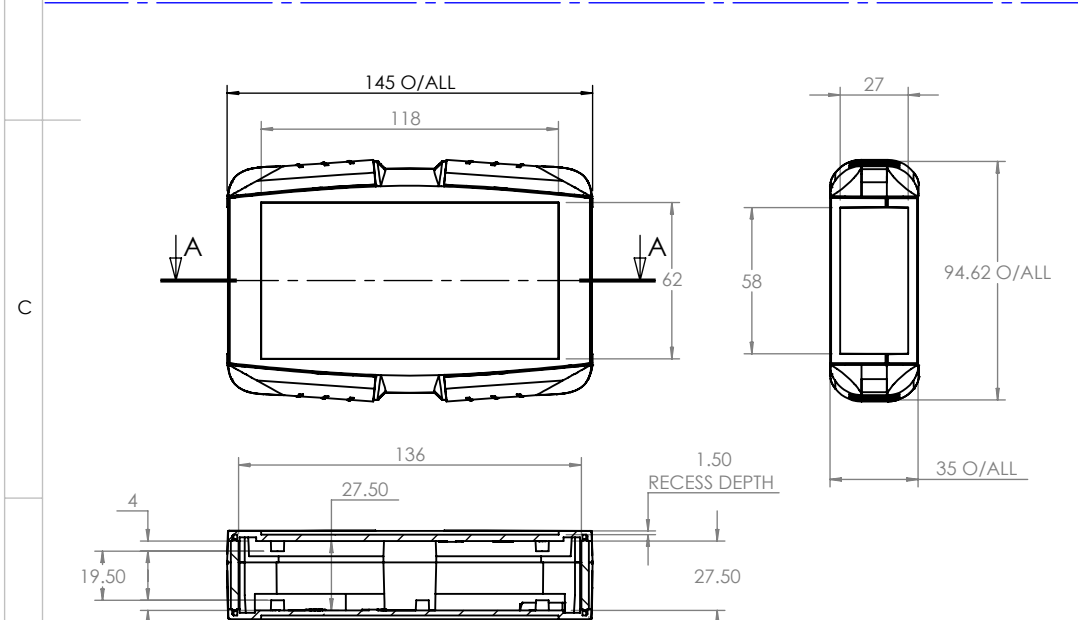
LID

BASE



SOFT-GRIP CORNERS & BATTERY COMPARTMENT SUPPLIED SEPARATELY

- CHH66C2BL
- CHH66C2GR
- CHH66C2RD
- CHH66C2OR
- CHH66C2BK
- CHH66C2YL
- CHH66C2GY



SECTION A-A
SCALE 1 : 3

<p>CAMDENBOSS JAMES CARTER RD, MILDENHALL, SUFFOLK. IP28 7DE TEL: 01638 716101 FAX: 01638 716554 EMAIL: Sales@CamdenBoss.com WEB: www.CamdenBoss.com</p>		UNLESS OTHERWISE SPECIFIED: DIMENSIONS ARE IN MILLIMETERS	DO NOT SCALE DRAWING	REVISION. 0
		GENERAL TOLERANCES +/- 0.2	TITLE: GNL ASSEMBLY DRG FOR 66 SERIES	
DRAWN IAN PAGANO		FINISH. LIGHT SPARK	DWG NO. CHH662NGY	
NAME IAN PAGANO	SIGNED I.P.	DATE 11/01/13	MATERIAL. UL94-V0 ABS GREY	SCALE. A4
CHKD -	-	-	PROJECTION.	SHEET 1 OF 1