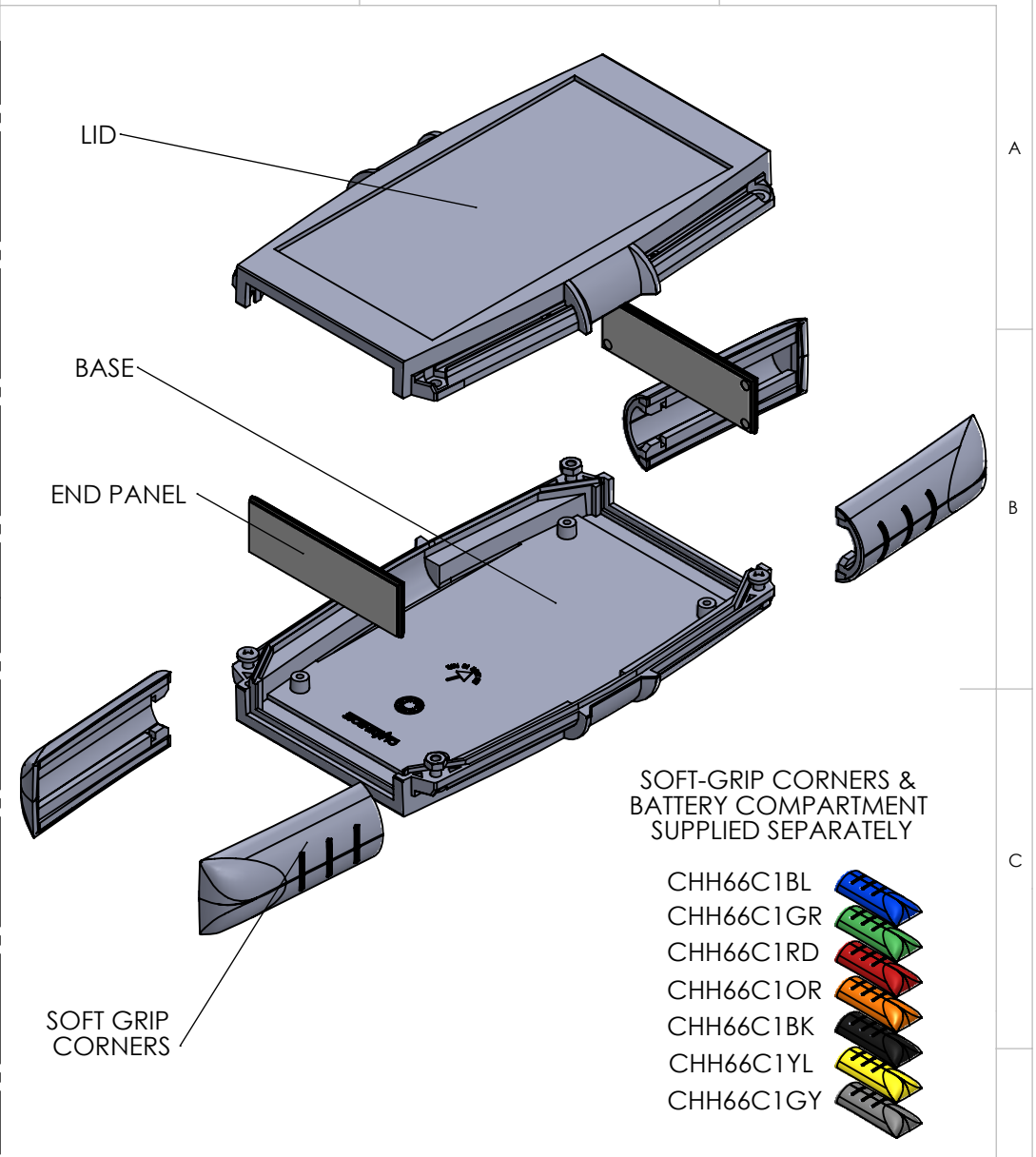




SECTION A-A
SCALE 1 : 2



SOFT-GRIP CORNERS &
BATTERY COMPARTMENT
SUPPLIED SEPARATELY

- CHH66C1BL
- CHH66C1GR
- CHH66C1RD
- CHH66C1OR
- CHH66C1BK
- CHH66C1YL
- CHH66C1GY

 CAMDENBOSS JAMES CARTER RD, MILDENHALL, SUFFOLK. IP28 7DE TEL: 01638 716101 FAX: 01638 716554 EMAIL: Sales@CamdenBoss.com WEB: www.CamdenBoss.com		UNLESS OTHERWISE SPECIFIED: DIMENSIONS ARE IN MILLIMETERS	DO NOT SCALE DRAWING	REVISION. 0
		GENERAL TOLERANCES +/- 0.2	TITLE: GNL ASSEMBLY DRG FOR 66 SERIES	
		FINISH. LIGHT SPARK	DWG NO. CHH661NBK	
DRAWN	NAME IAN PAGNO	SIGNED I.P.	DATE 11/01/13	MATERIAL. UL94-V0 ABS BLACK
CHKD	-	-	-	PROJECTION. 
			SCALE	SHEET 1 OF 1
				A4