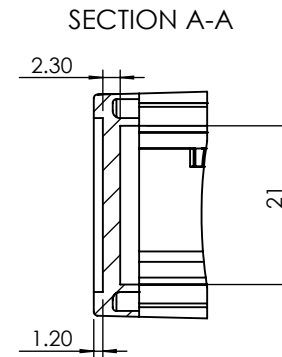
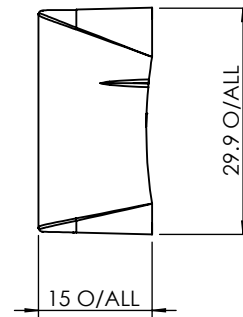
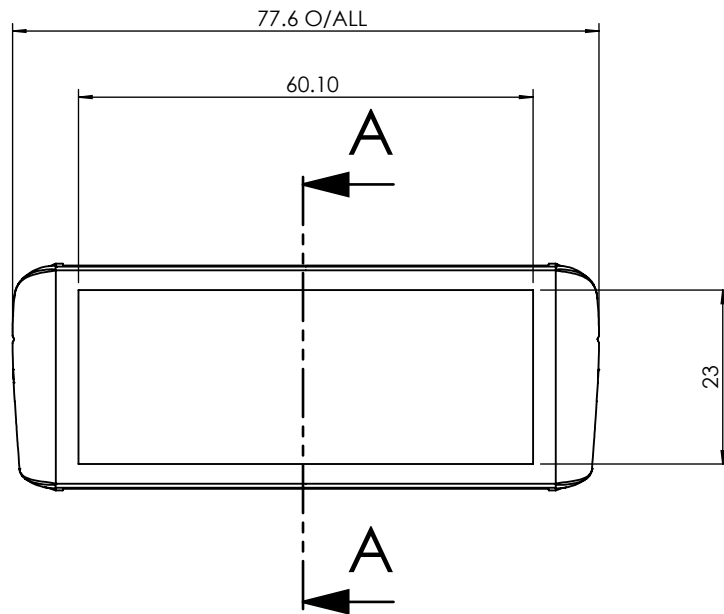




ISO VIEW
1:1



SECTION A-A

 CAMDENBOSS JAMES CARTER RD, MILDENHALL, SUFFOLK. IP28 7DE TEL: 01638 716101 FAX: 01638 716554 EMAIL: Sales@CamdenBoss.com WEB: www.CamdenBoss.com				UNLESS OTHERWISE SPECIFIED: DIMENSIONS ARE IN MILLIMETERS		DO NOT SCALE DRAWING		REVISION. <input type="checkbox"/>					
				GENERAL TOLERANCES +/- 0.2		TITLE: 64 SERIES END CAP SIZE 2, DARK GREY							
DRAWN		NAME		SIGNED		DATE		MATERIAL.		DWG NO.		A4	
CHK'D		LEWIS LETCHFORD		L.L.		02/04/2014		UL94 - VO ABS		CHH64E2DG			
				PROJECTION.				SCALE: 1:1		SHEET 1 OF 1			