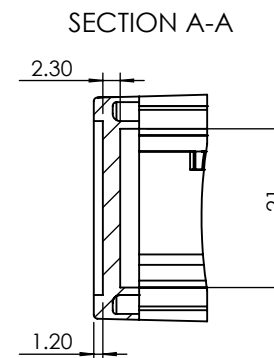
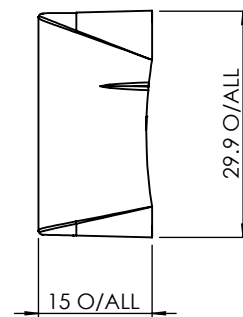
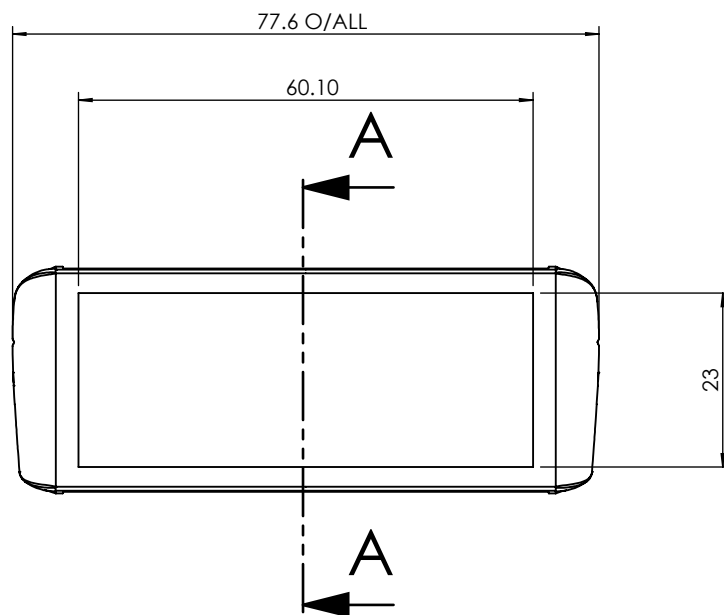




ISO VIEW
1:1



SECTION A-A

 CAMDENBOSS JAMES CARTER RD, MILDENHALL, SUFFOLK. IP28 7DE TEL: 01638 716101 FAX: 01638 716554 EMAIL: Sales@CamdenBoss.com WEB: www.CamdenBoss.com				UNLESS OTHERWISE SPECIFIED: DIMENSIONS ARE IN MILLIMETERS		DO NOT SCALE DRAWING		REVISION. <input type="checkbox"/>	
				GENERAL TOLERANCES +/- 0.2		TITLE: 64 SERIES END CAP SIZE 2, BLUE			
DRAWN		NAME		SIGNED		DATE		MATERIAL.	
LEWIS LETCHFORD		L.L.		02/04/2014		UL94 - V0 ABS		DWG NO.	
CHK'D		-		-		-		SCALE: 1:1	
PROJECTION. 				SHEET 1 OF 1		A4		CHH64E2BL	