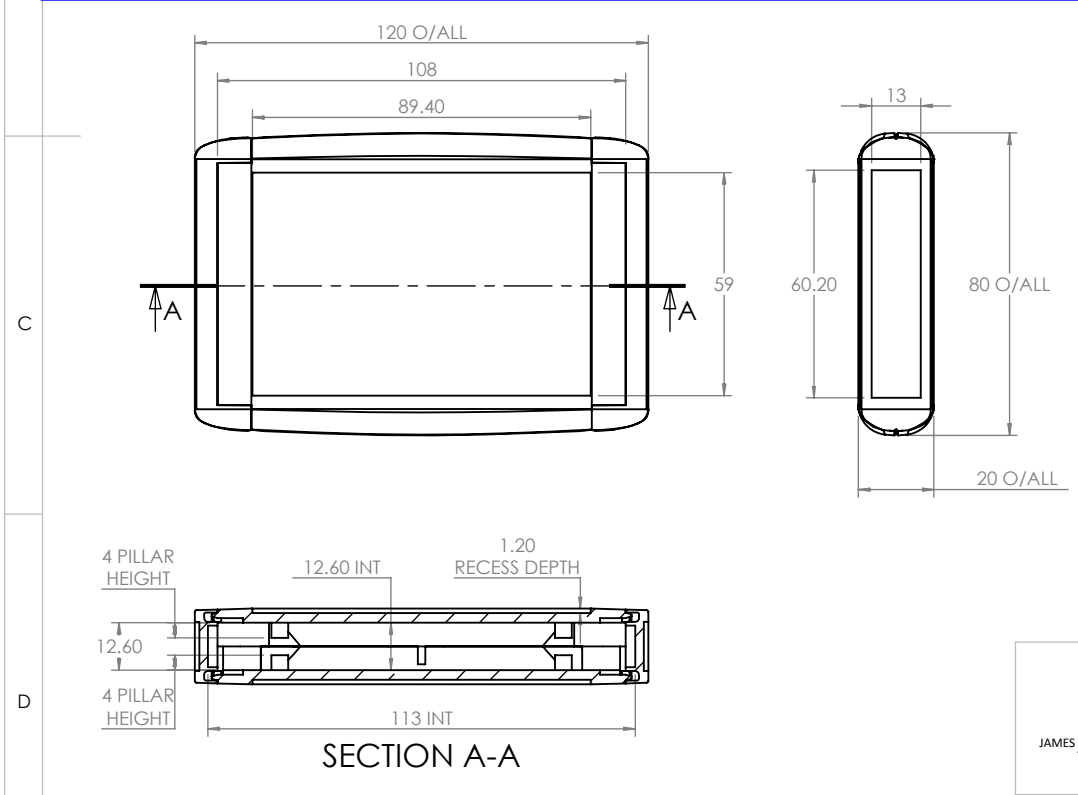


BASE

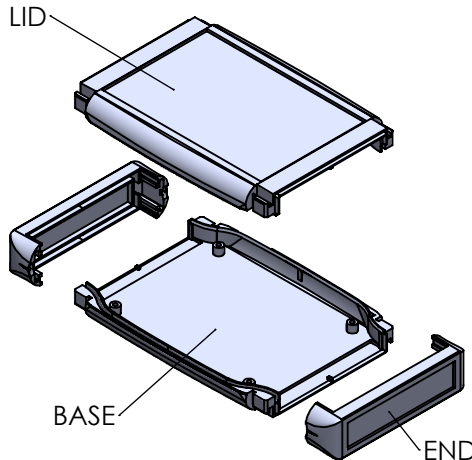
TOP



ASSEMBLY

SECTION A-A

**ISO VIEW
1:3**



END CAP SUPPLIED SEPERATELY

- CHH64E1OR
- CHH64E1GR
- CHH64E1YL
- CHH64E1BL
- CHH64E1RD
- CHH64E1DG
- CHH64E1BK



<p>CAMDENBOSS JAMES CARTER RD, MILDENHALL, SUFFOLK. IP28 7DE TEL: 01638 716101 FAX: 01638 716554 EMAIL: Sales@CamdenBoss.com WEB: www.CamdenBoss.com</p>		UNLESS OTHERWISE SPECIFIED: DIMENSIONS ARE IN MILLIMETERS	DO NOT SCALE DRAWING	REVISION. 0		
		GENERAL TOLERANCES +/- 0.2	TITLE: GENERAL ASSEMBLY DRAWING FOR 64 SERIES			
	NAME	SIGNED	DATE	MATERIAL. UL94-V0 ABS BLACK	DWG NO. CHH643NBK	A4
DRAWN	JAMIE JACOBS	JNJ	24/06/13	PROJECTION.	SCALE. 1 : 2	
CHK'D	-	-	-			