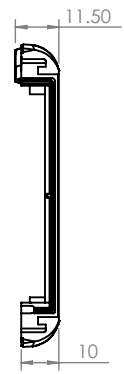
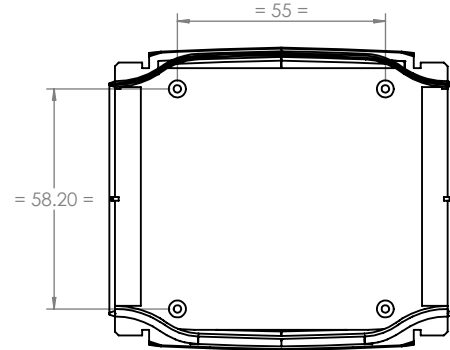
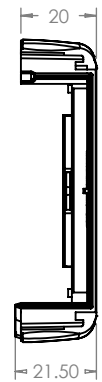
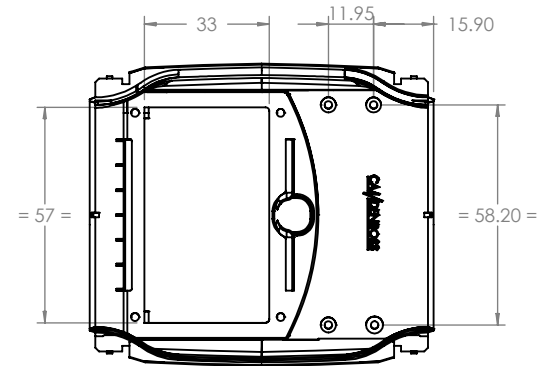


1 2 3 4 5 6

A



A

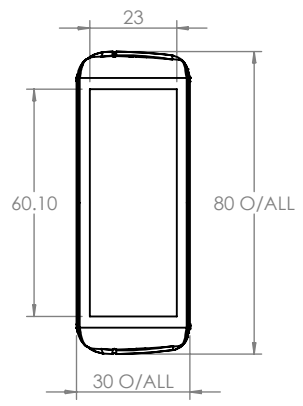
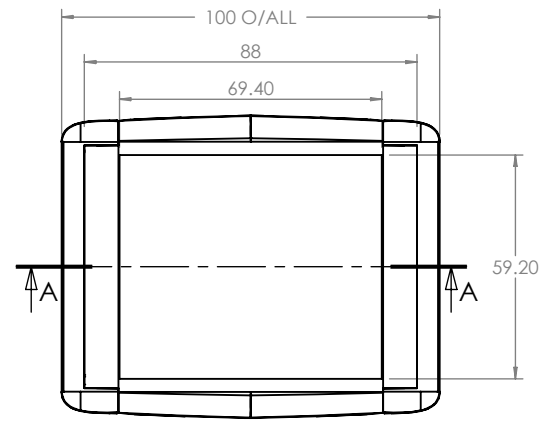
B

BASE

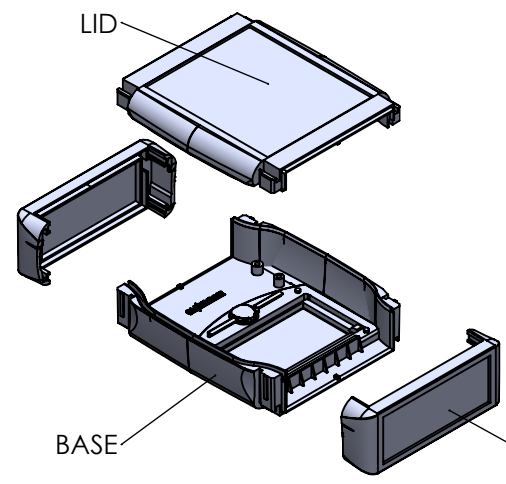
TOP

B

C



ISO VIEW
1:3

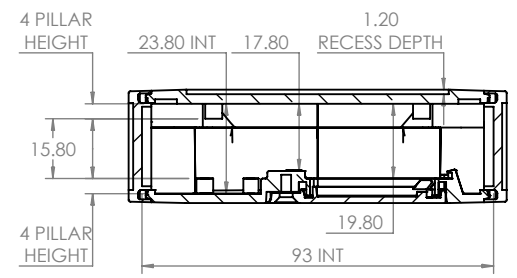


END CAP & BATTERY COMPARTMENTS SUPPLIED SEPERATELY

- CHH64E2OR
- CHH64E2GR
- CHH64E2YL
- CHH64E2BL
- CHH64E2RD
- CHH64E2DG
- CHH64E2BK

C

D



ASSEMBLY SECTION A-A

| | | | | | | |
|---|--------------|--|---|-------------------------------|--------------------------|----|
| <p>CAMDENBOSS JAMES CARTER RD, MILDENHALL, SUFFOLK. IP28 7DE TEL: 01638 716101 FAX: 01638 716554 EMAIL: Sales@CamdenBoss.com WEB: www.CamdenBoss.com</p> | | UNLESS OTHERWISE SPECIFIED: DIMENSIONS ARE IN MILLIMETERS | DO NOT SCALE DRAWING | REVISION. 0 | | |
| | | GENERAL TOLERANCES +/- 0.2 | TITLE: GENERAL ASSEMBLY DRAWING FOR 64 SERIES | | | |
| | NAME | SIGNED | DATE | MATERIAL. UL94-V0 ABS GREY | DWG NO. CHH642BGY | A4 |
| DRAWN | JAMIE JACOBS | JJ | 24/06/13 | FINISH. LIGHT SPARK | SCALE. 1 : 2 | |
| CHK'D | - | - | - | PROJECTION. | SHEET 1 OF 1 | |

1 2 3