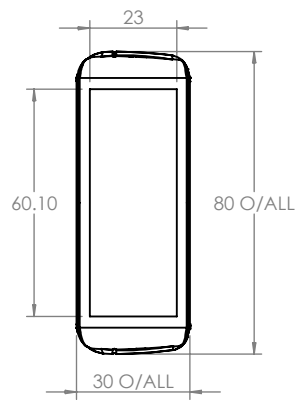
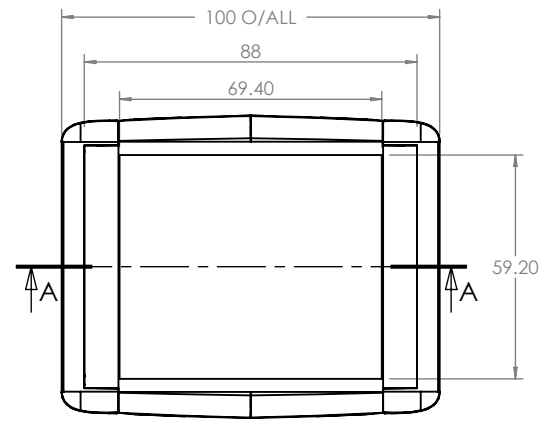
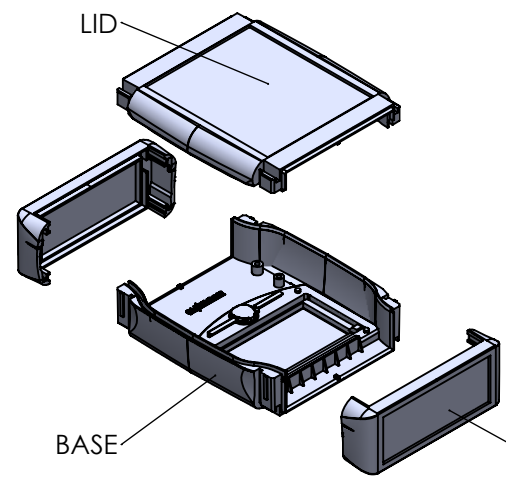


**BASE**

**TOP**

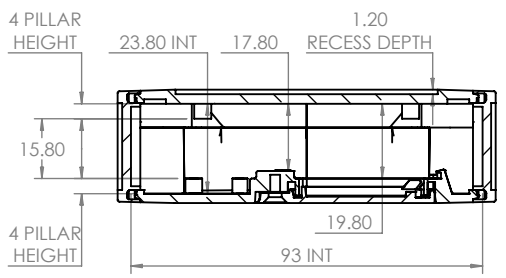


**ISO VIEW**  
1:3



END CAP & BATTERY COMPARTMENTS SUPPLIED SEPERATELY

- CHH64E2OR
- CHH64E2GR
- CHH64E2YL
- CHH64E2BL
- CHH64E2RD
- CHH64E2DG
- CHH64E2BK



**ASSEMBLY SECTION A-A**

<p><b>CAMDENBOSS</b> JAMES CARTER RD, MILDENHALL, SUFFOLK. IP28 7DE TEL: 01638 716101 FAX: 01638 716554 EMAIL: Sales@CamdenBoss.com WEB: www.CamdenBoss.com</p>		UNLESS OTHERWISE SPECIFIED: DIMENSIONS ARE IN MILLIMETERS	DO NOT SCALE DRAWING	REVISION. ○			
		GENERAL TOLERANCES +/- 0.2	TITLE: <b>GENERAL ASSEMBLY DRAWING FOR 64 SERIES</b>				
	NAME	SIGNED	DATE	MATERIAL	DWG NO.	<b>CHH642BBK</b>	A4
DRAWN	JAMIE JACOBS	JJ	26/06/13	UL94-V0 ABS BLACK			
CHK'D	-	-	-	PROJECTION.	SCALE: 1 : 2	SHEET 1 OF 1	