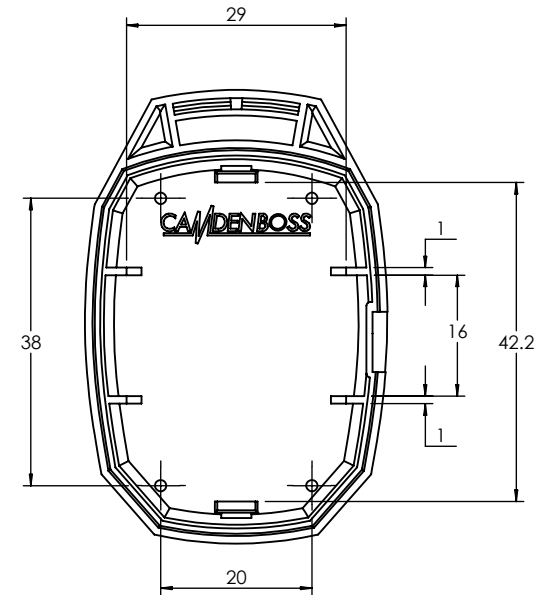
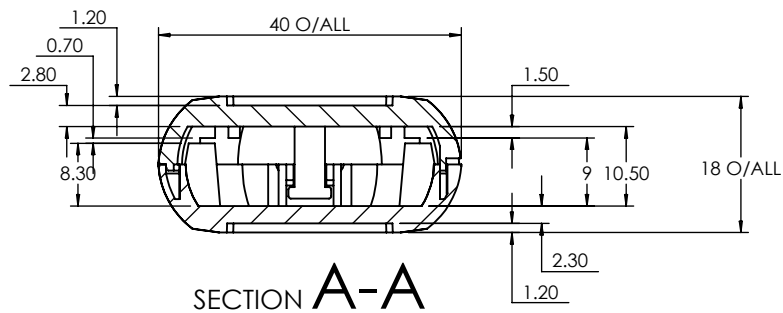
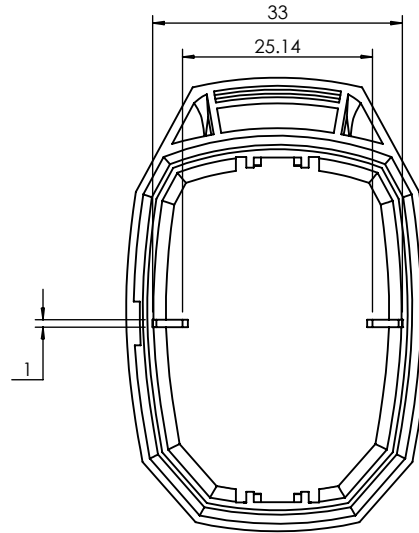
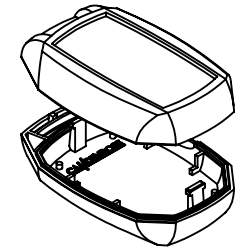




ISO VIEW
1:2



 CAMDENBOSS JAMES CARTER RD, MILDENHALL, SUFFOLK. IP28 7DE TEL: 01638 716101 FAX: 01638 716554 EMAIL: Sales@CamdenBoss.com WEB: www.CamdenBoss.com		UNLESS OTHERWISE SPECIFIED: DIMENSIONS ARE IN MILLIMETERS	DO NOT SCALE DRAWING	REVISION. ○
		GENERAL TOLERANCES +/- 0.2	TITLE: GNL ASSEMBLY DRG FOR 62 SERIES	
		FINISH: FINE TEXTURE	MATERIAL: UL - 94 V0 ABS	DWG NO. CHH622GRY
DRAWN	IAN PAGANO	SIGNED	I.P.	DATE 09/04/13
CHK'D	-	-	-	-
		PROJECTION. 	SCALE: 1:1	SHEET 1 OF 1

A4