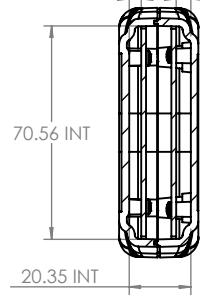
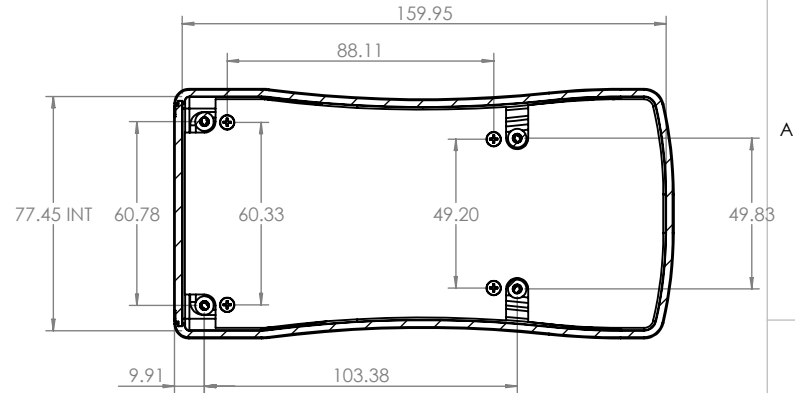
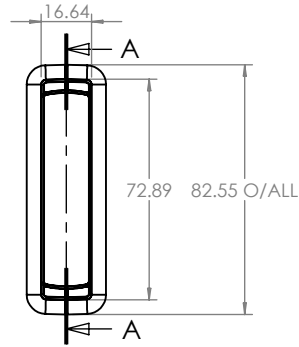
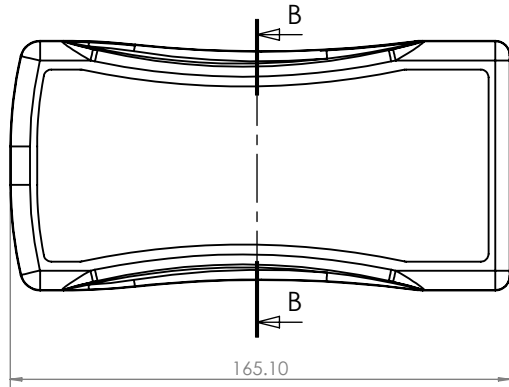


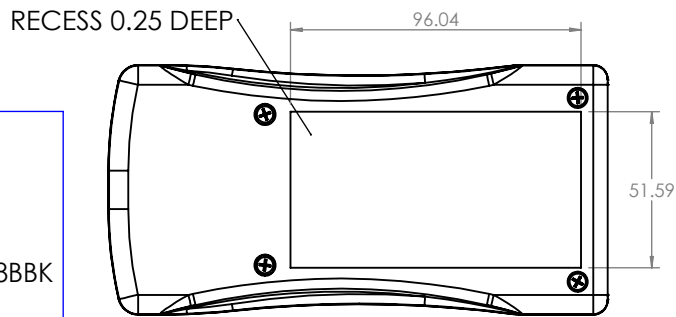
4.01 PILLAR HEIGHT
4.78 PILLAR HEIGHT



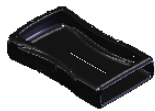
SECTION B-B



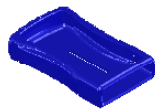
SECTION A-A



RUBBER BOOT
(OPTIONAL)



CHH458BBK



CHH458BBL



CHH458BRD

MOUNTING SCREWS

BOTTOM PCB
(NOT SUPPLIED)

TOP PCB
(NOT SUPPLIED)

LID

END PANEL



CAMDENBOSS

JAMES CARTER RD, MILDENHALL, SUFFOLK. IP28 7DE
TEL: 01638 716101 FAX: 01638 716554
EMAIL: Sales@CamdenBoss.com
WEB: www.CamdenBoss.com

UNLESS OTHERWISE SPECIFIED:
DIMENSIONS ARE IN MILLIMETERS

DO NOT SCALE DRAWING

REVISION. 0

GENERAL TOLERANCES +/- 0.2

TITLE: GENERAL ASSEMBLY DRAWING
FOR 45 SERIES PALM CASES

FINISH:
FINE TEXTURE

DWG NO.

CHH458NBK

A4

	NAME	SIGNED	DATE
DRAWN	JAMIE JACOBS	JNJ	15/11/12
CHK'D	-	-	-

MATERIAL:
UL94-5VA ABS BLACK

SCALE: 2 : 5

SHEET 1 OF 1

PROJECTION.

