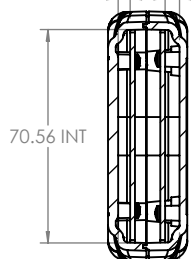
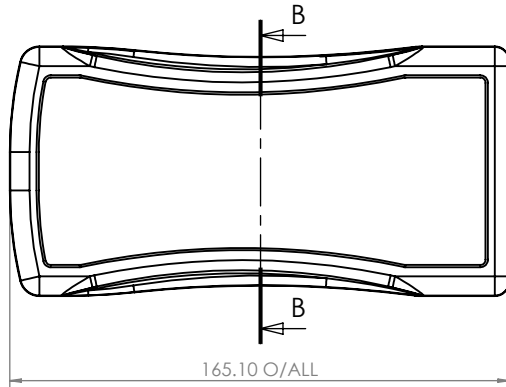


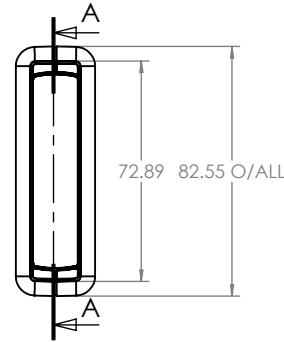
4.01 PILLAR HEIGHT
4.78 PILLAR HEIGHT



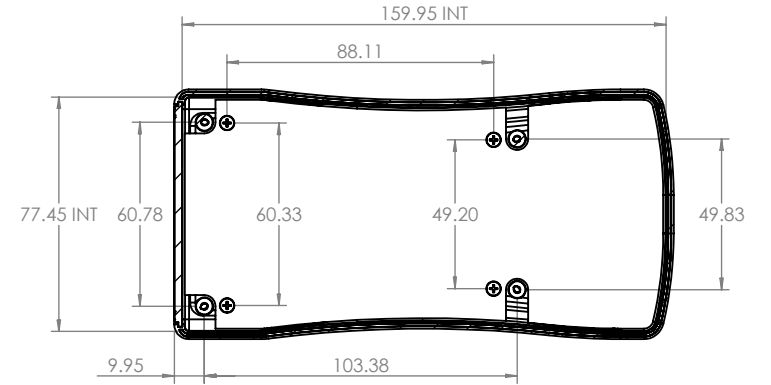
SECTION B-B



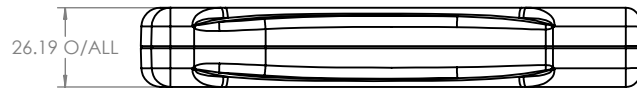
165.10 O/ALL



72.89 82.55 O/ALL

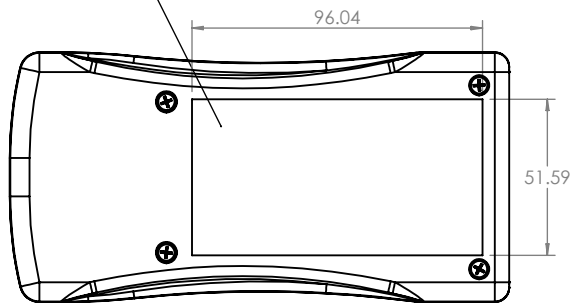


SECTION A-A



26.19 O/ALL

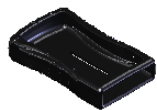
RECESS 0.25 DEEP



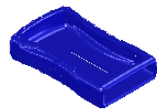
96.04

51.59

RUBBER BOOT (OPTIONAL)



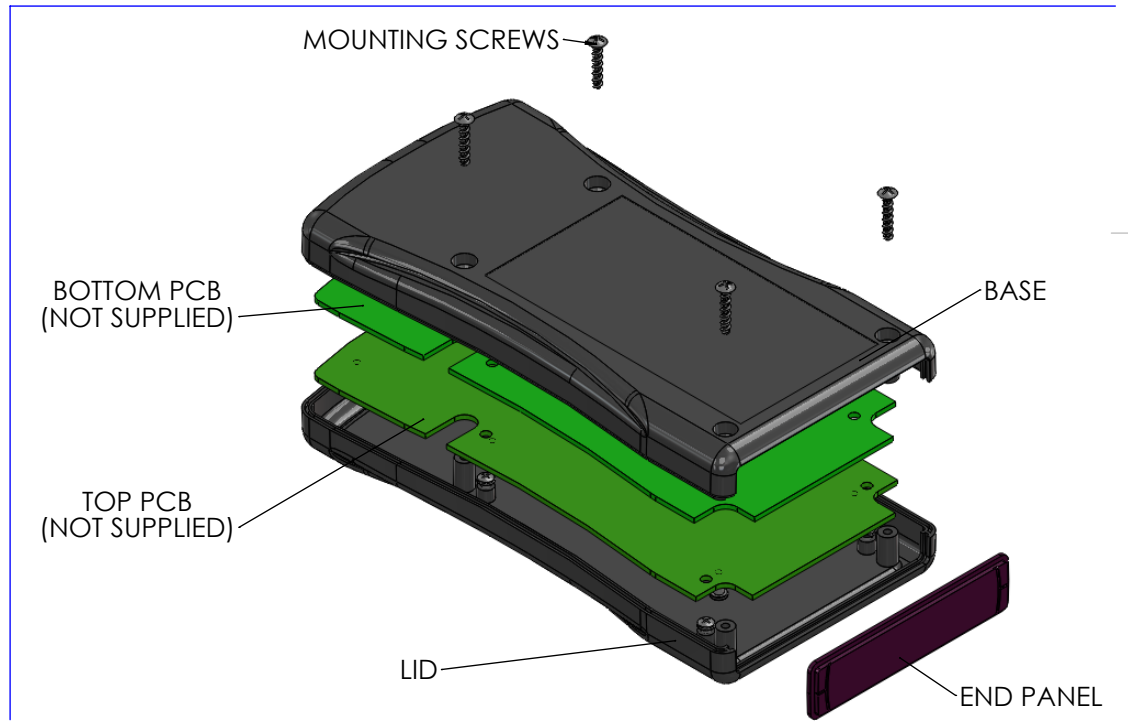
CHH438BBK





CHH438BBL



CHH438BRD



 CAMDENBOSS JAMES CARTER RD, MILDENHALL, SUFFOLK. IP28 7DE TEL: 01638 716101 FAX: 01638 716554 EMAIL: Sales@CamdenBoss.com WEB: www.CamdenBoss.com		UNLESS OTHERWISE SPECIFIED: DIMENSIONS ARE IN MILLIMETERS	DO NOT SCALE DRAWING	REVISION. 0
		GENERAL TOLERANCES +/- 0.2	TITLE: GENERAL ASSEMBLY DRAWING FOR 45 SERIES PALM CASES	
DRAWN: JAMIE JACOBS		NAME: JAMIE JACOBS	SIGNED: JNJ	DATE: 15/11/12
MATERIAL: UL94-5VA ABS BLACK		FINISH: FINE TEXTURE		DWG NO. CHH453NBK
CHK'D: -	PROJECTION: 	SCALE: 2 : 5		SHEET 1 OF 1