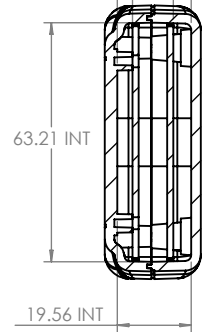
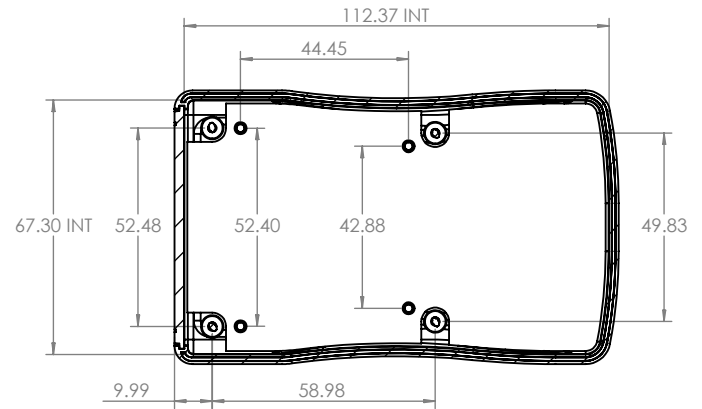
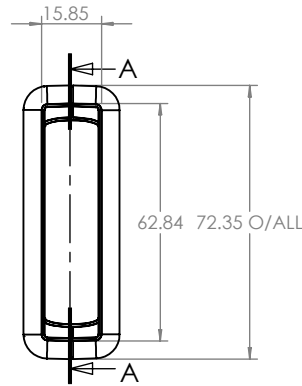
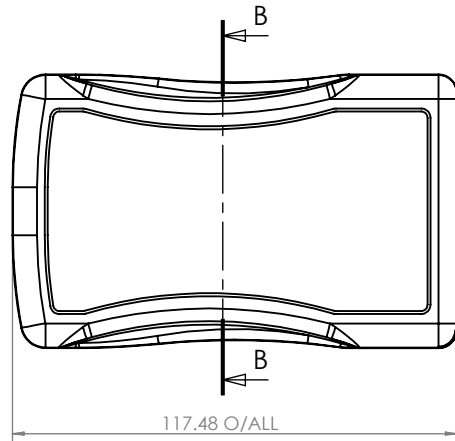


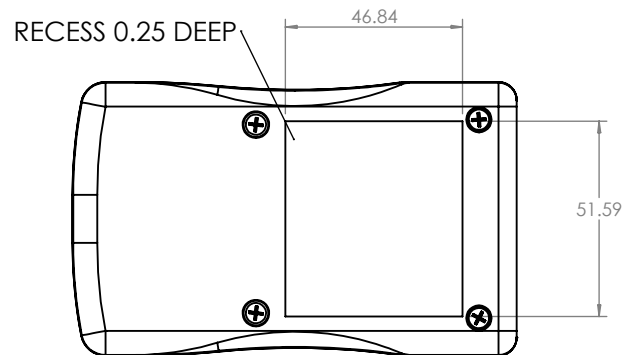
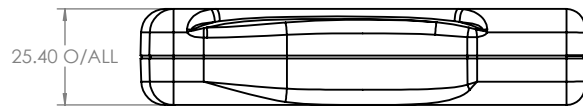
4.01 PILLAR HEIGHT  
4.78 PILLAR HEIGHT



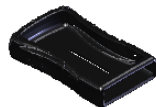
SECTION B-B



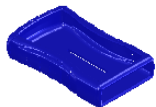
SECTION A-A



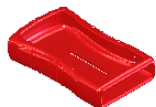
**RUBBER BOOT (OPTIONAL)**



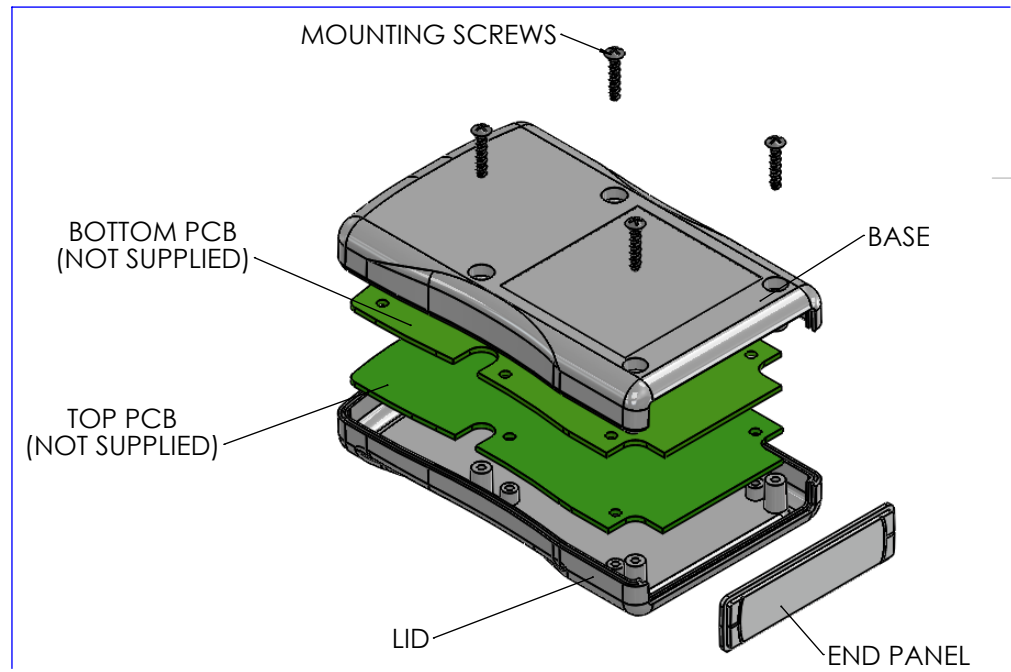
CHH451BBK





CHH451BBL



CHH451BRD



 <b>CAMDENBOSS</b> JAMES CARTER RD, MILDENHALL, SUFFOLK. IP28 7DE TEL: 01638 716101 FAX: 01638 716554 EMAIL: Sales@CamdenBoss.com WEB: www.CamdenBoss.com		UNLESS OTHERWISE SPECIFIED: DIMENSIONS ARE IN MILLIMETERS		DO NOT SCALE DRAWING	REVISION. 0
		GENERAL TOLERANCES +/- 0.2		TITLE: GENERAL ASSEMBLY DRAWING FOR 45 SERIES PALM CASES	
DRAWN: MATTHEW WALLACE		SIGNED: MJW	DATE: 23/11/11	FINISH: FINE TEXTURE	
MATERIAL: UL94-5VA ABS BLACK		PROJECTION: 		DWG NO. CHH451NBK	A4
CHKD: -	-	-	-	SCALE: 1 : 2	SHEET 1 OF 1