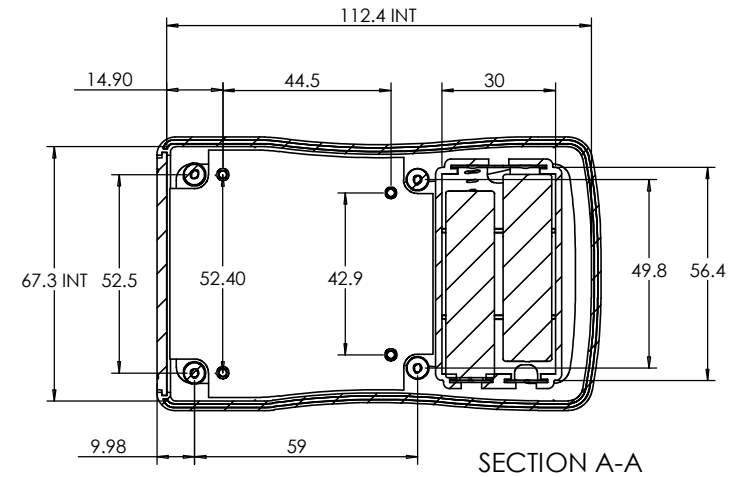
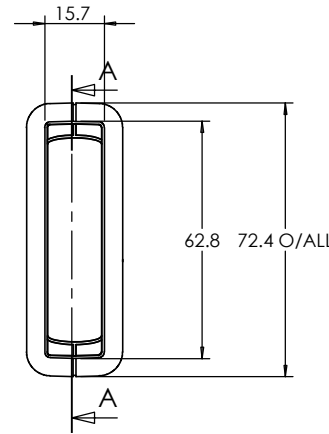
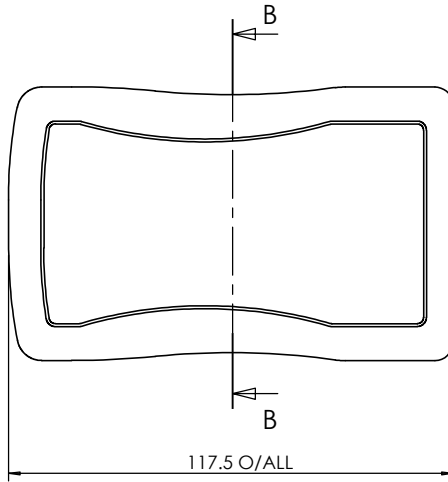
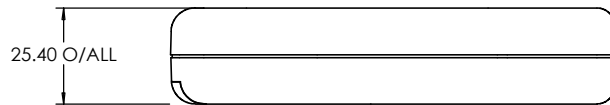


SECTION B-B



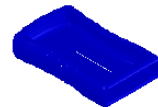
SECTION A-A



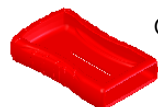
RUBBER BOOT (OPTIONAL)



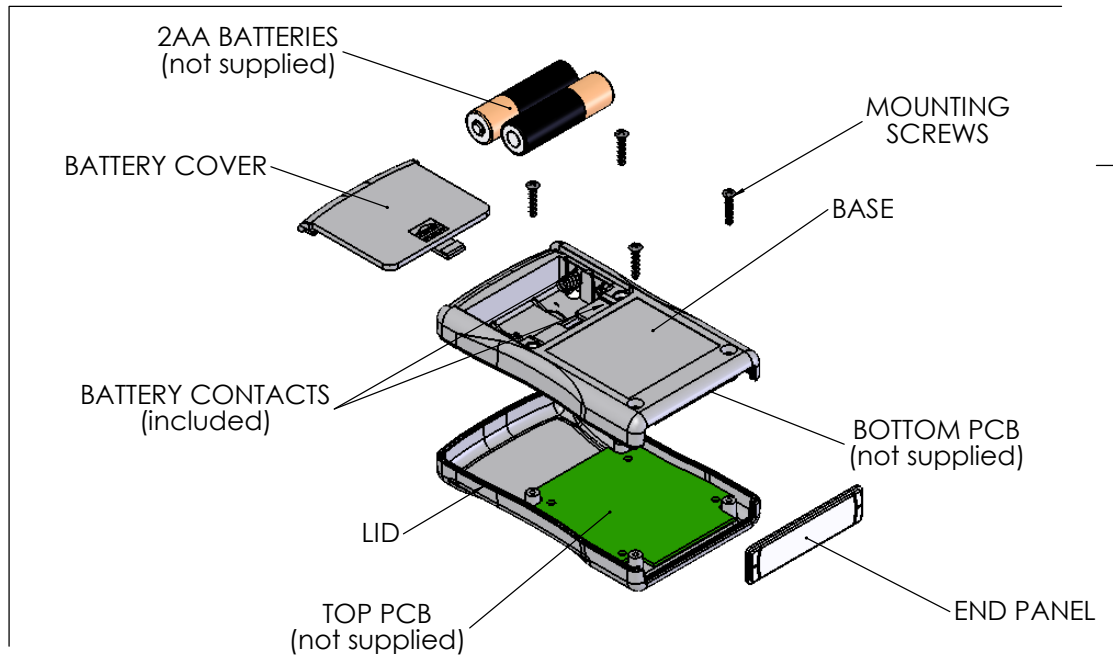
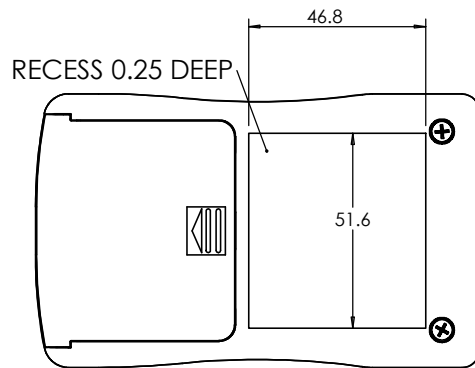
CHH451BBK



CHH451BBL



CHH451BRD



<p>CAMDENBOSS JAMES CARTER RD, MILDENHALL, SUFFOLK, IP28 7DE TEL: 01638 716101 FAX: 01638 716554 E-MAIL: Sales@CamdenBoss.com WEB: www.CamdenBoss.com</p>		UNLESS OTHERWISE SPECIFIED: DIMENSIONS ARE IN MILLIMETERS		DO NOT SCALE DRAWING	REVISION. 0
		FINISH: FINE TEXTURE		TITLE: GENERAL ASSEMBLY DRG FOR 45 SERIES PALM CASES	
MATERIAL: UL94-5VA ABS BLACK		DWG NO. CHH451ABK		A4	
DRAWN L SUBKHANKULOVA	SIGNED LS	DATE 05/01/11	PROJECTION. 	SCALE: 1 : 2	SHEET 1 OF 1