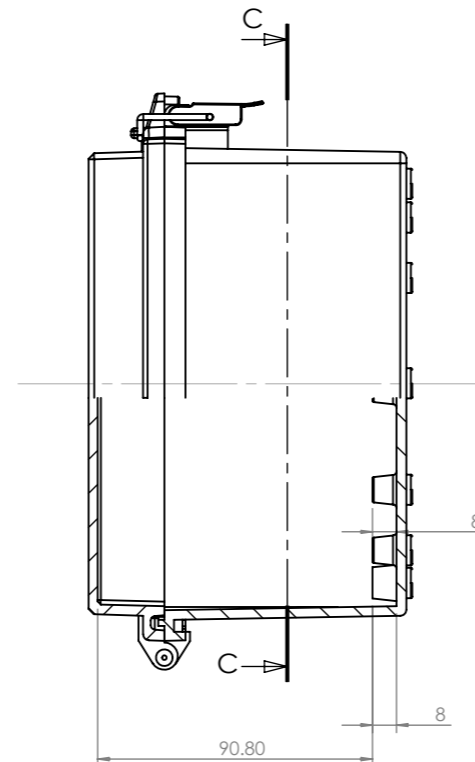
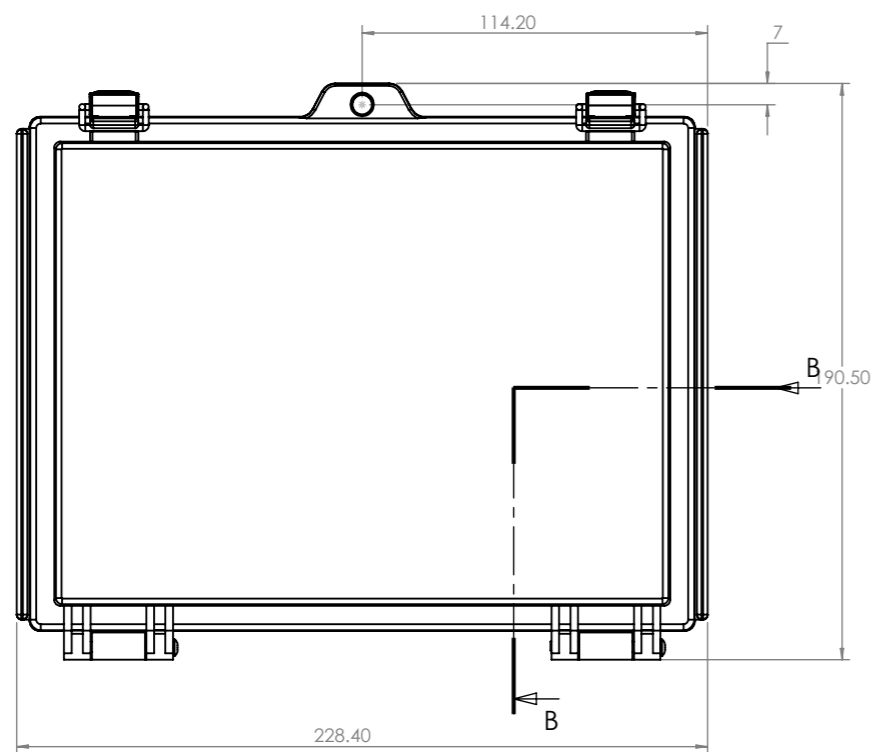
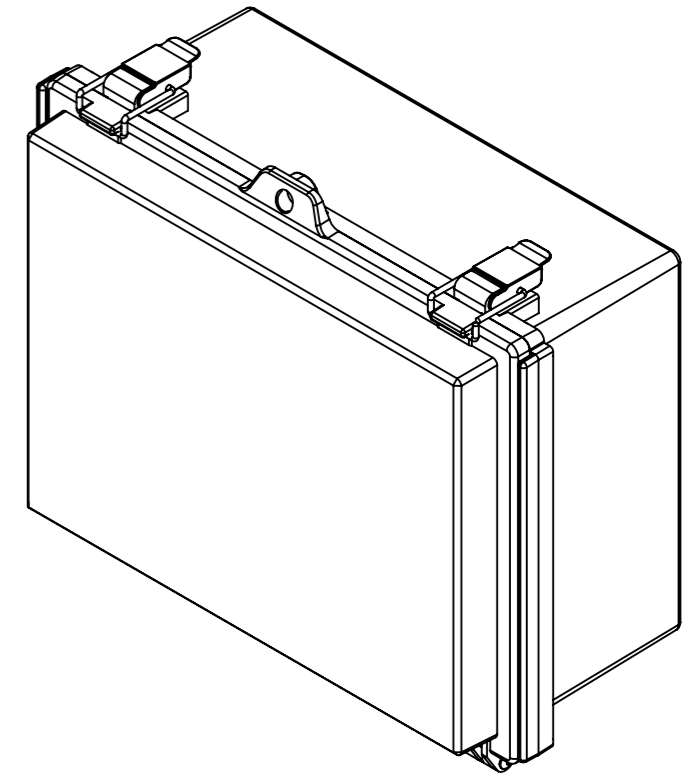
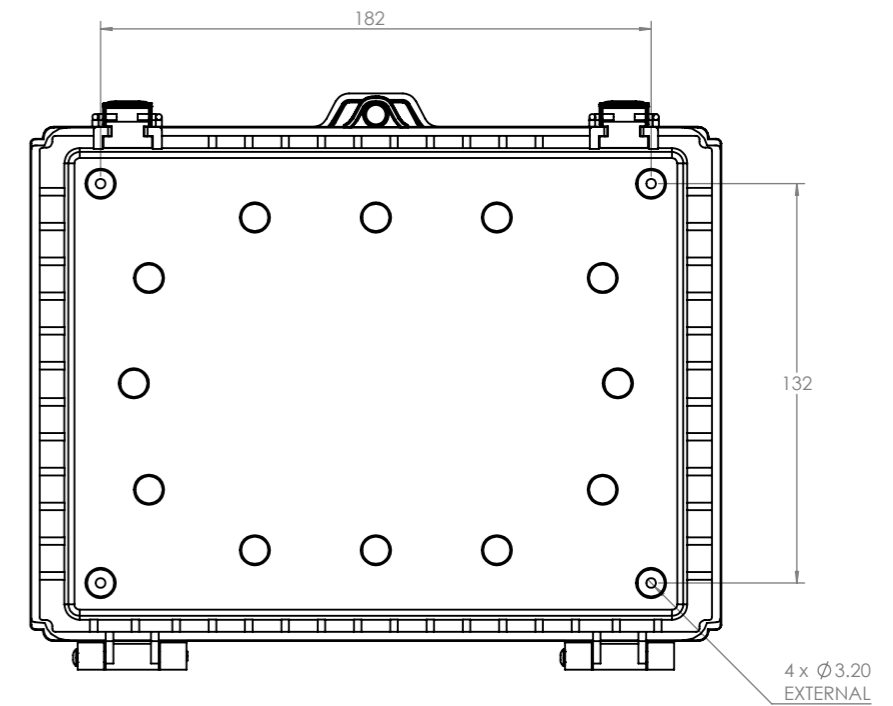


SECTION C-C
SCALE 2 : 5



SECTION B-B
SCALE 2 : 5



PART NUMBER	DESCRIPTION
CHDX8-225	POLYCARB, SOLID LID
CHDX8-225C	POLYCARB, TRANSPAREN LID
CHDX8-325	ABS, SOLID LID
CHDX8-325C	ABS, TRANSPARENT LID



DRAWING UNITS: MILLIMETERS
TOLERANCES: +/-0.2

PROJECTION

COLOUR: LIGHT GREY

FINISH: CLEAN AND BURR FREE

MATERIAL: SEE TABLE

GAUGE -

TITLE: X8 SERIES HEAVY DUTY 228x187x112

DWG NO.

DO NOT SCALE DRAWING
DEBURR AND BREAK SHARP EDGES

CHDX8-325

SCALE: 1:5

SHEET 1 OF 1

A3

REVISION DATE ECR

DESCRIPTION

NAME

CHK'D