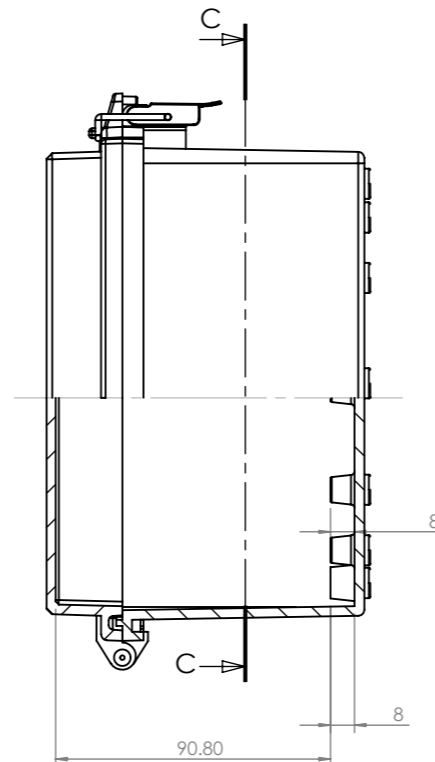
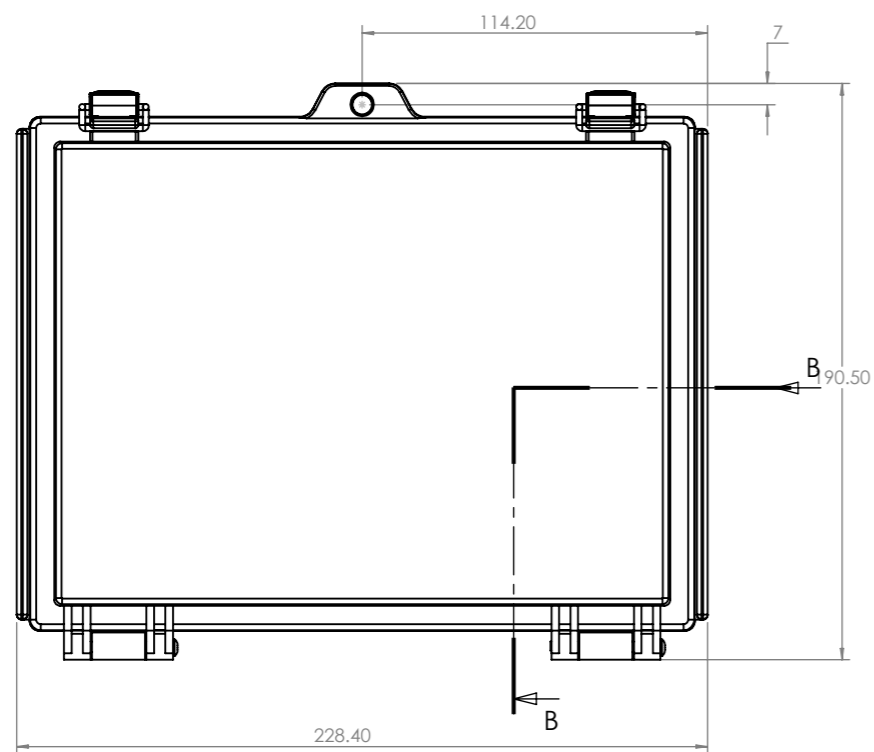
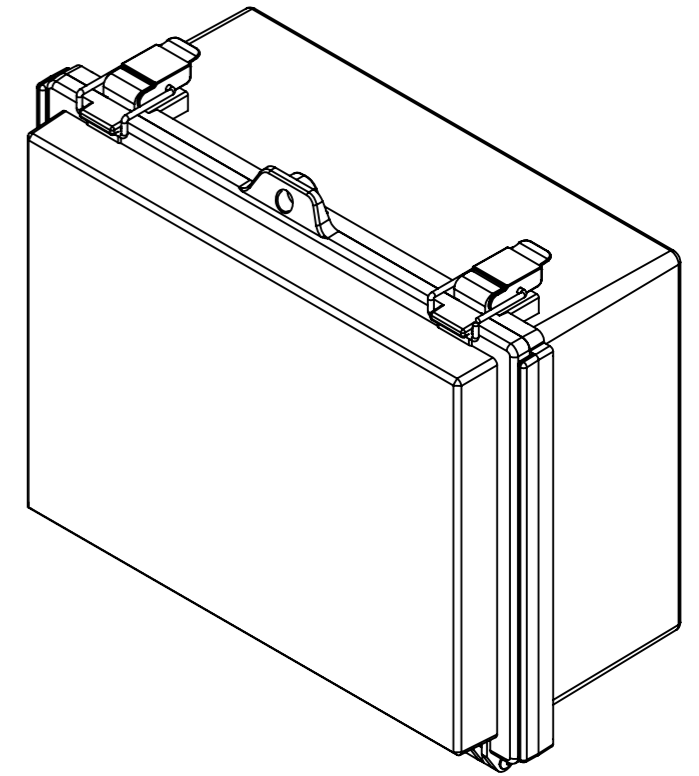
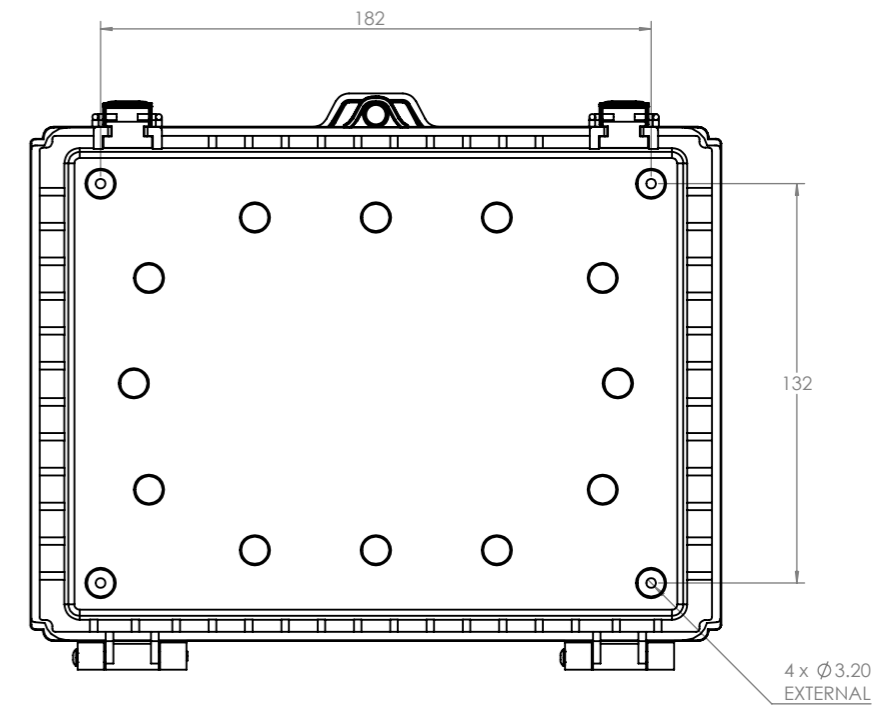


SECTION C-C
SCALE 2 : 5



SECTION B-B
SCALE 2 : 5



PART NUMBER	DESCRIPTION
CHDX8-225	POLYCARB, SOLID LID
CHDX8-225C	POLYCARB, TRANSPARENT LID
CHDX8-325	ABS, SOLID LID
CHDX8-325C	ABS, TRANSPARENT LID



COLOUR: LIGHT GREY	GAUGE -	DO NOT SCALE DRAWING DEBURR AND BREAK SHARP EDGES	SCALE: 1:5
FINISH: CLEAN AND BURR FREE	TITLE: X8 SERIES HEAVY DUTY 228x187x112		SHEET 1 OF 1
MATERIAL: SEE TABLE	DWG NO. CHDX8-225		A3

REVISION	DATE	ECR	DESCRIPTION	NAME	CHK'D
8					
7					
6					
5					