

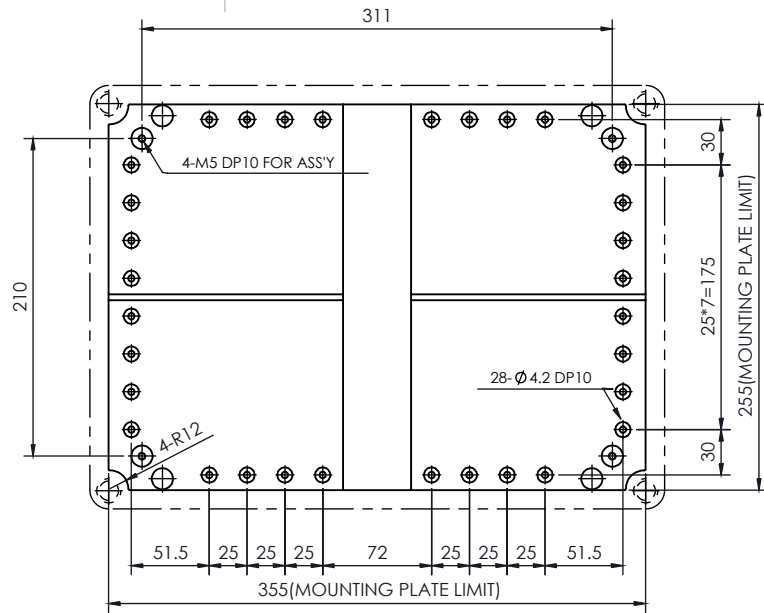
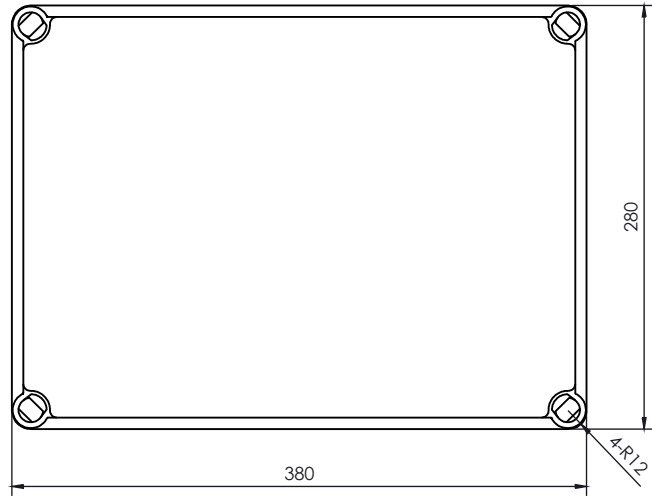
1 2 3 4 5 6

A

B

A

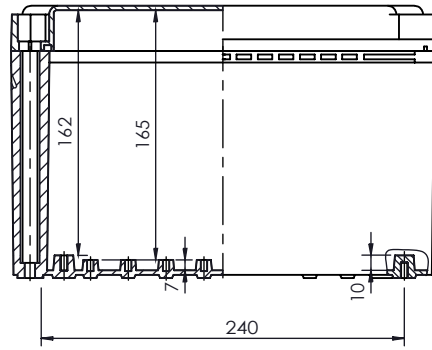
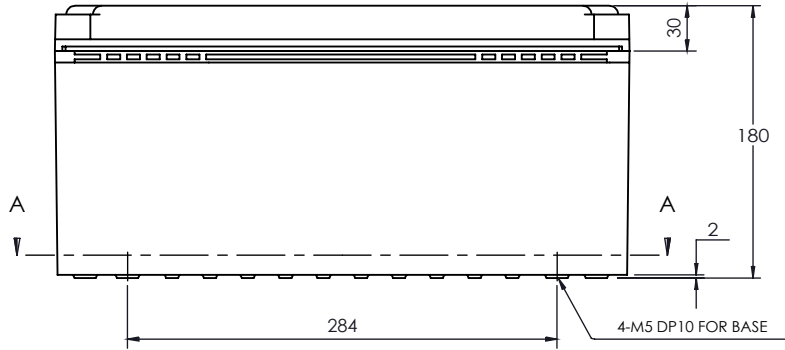
B



SECTION A-A

C


C



PART NUMBER	DESCRIPTION
CHDX7-224	Polycarb, Solid Lid
CHDX7-224C	Polycarb, Transparent Lid
CHDX7-324	ABS, Solid Lid
CHDX7-324C	ABS, Transparent Lid

D

D




CAMDENBOSS
 JAMES CARTER RD, MILDENHALL, SUFFOLK. IP28 7DE
 TEL: 01638 716101 FAX: 01638 716554
 EMAIL: Sales@CamdenBoss.com
 WEB: www.CamdenBoss.com

UNLESS OTHERWISE SPECIFIED:
DIMENSIONS ARE IN MILLIMETERS

FINISH:
CLEAN & BURR FREE

COLOUR:
LIGHT GREY

MATERIAL:
SEE TABLE

PROJECTION: 

GENERAL TOLERANCES +/- 0.2

REVISION:

TITLE: **X7 Series Heavy Duty Case, 280x380x180**

DWG NO. **CHDX7 (280x380x180)**

SCALE: 1:5

SHEET 1 OF 1

DO NOT SCALE DRAWING

NAME	SIGNED	DATE
DRAWN: A.GOODENOUGH	A.G	08/12/17
CHKD: J.DICKINSON	J.H.D	08/12/17

1 2 3