

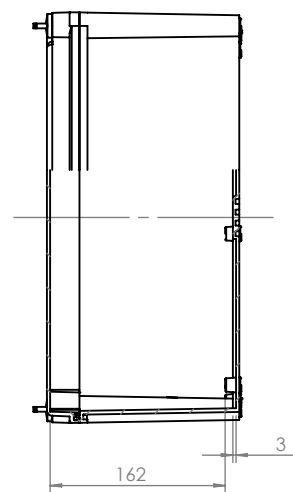
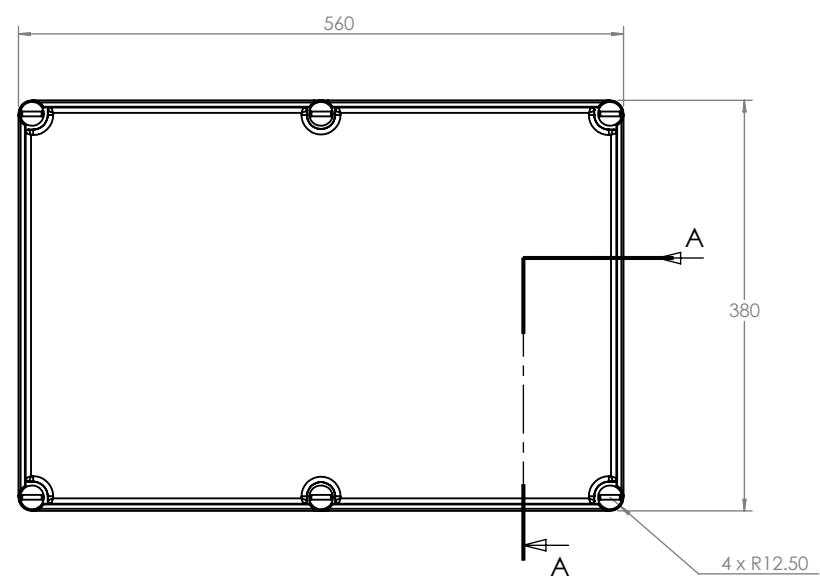
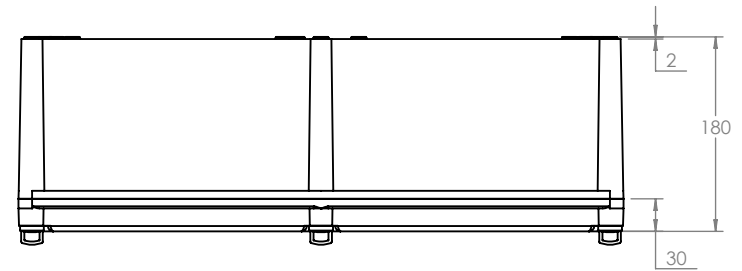
1 2 3 4 5 6

A

B

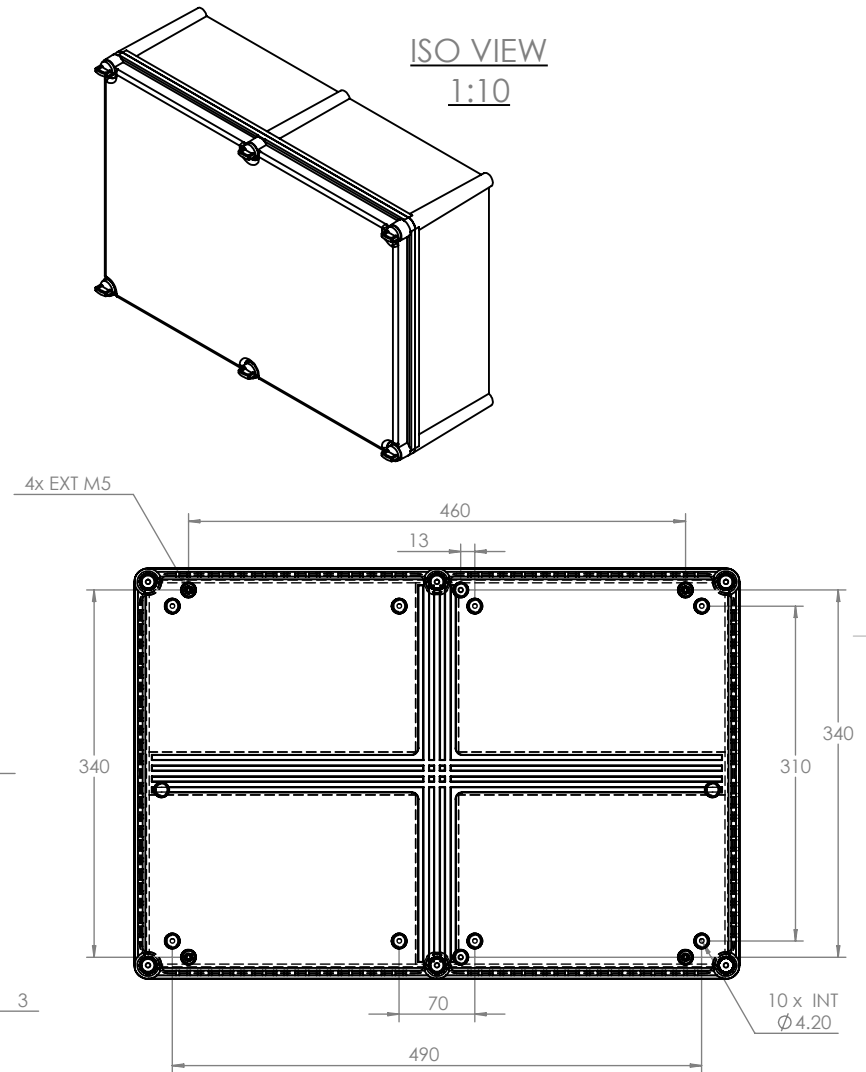
C

D





SECTION A-A  
SCALE 1 : 7

ISO VIEW  
1:10



PART NUMBER	DESCRIPTION
CHDX7-232	POLYCARB, SOLID LID
CHDX7-232C	POLYCARB, TRANSPARETN LID
CHDX7-332	ABS, SOLID LID
CHDX7-332C	ABS, TRANSPARENT LID

 <b>CAMDENBOSS</b> CONNECT. ENCLOSE. INNOVATE. JAMES CARTER RD, MILDENHALL, SUFFOLK. IP28 7DE TEL: 01638 716101 FAX: 01638 716554 EMAIL: Sales@CamdenBoss.com WEB: www.CamdenBoss.com	UNLESS OTHERWISE SPECIFIED: DIMENSIONS ARE IN MILLIMETERS	GENERAL TOLERANCES +/- 0.2	REVISION. ○
	FINISH: CLEAN AND BURR FREE	TITLE: X7 SERIES HEAVY DUTY 560x380x180	
CLOUR: LIGHT GREY	MATERIAL: SEE TABLE	DWG NO. CHDX7-560x380x180 A4	
DRAWN IAN PAGANO	SIGNED I.P.	DATE 04/03/19	SCALE: 1:7
CHKD -	-	-	SHEET 1 OF 1
PROJECTION. 			DO NOT SCALE DRAWING