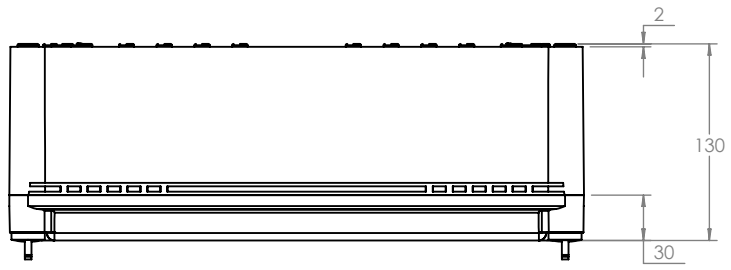
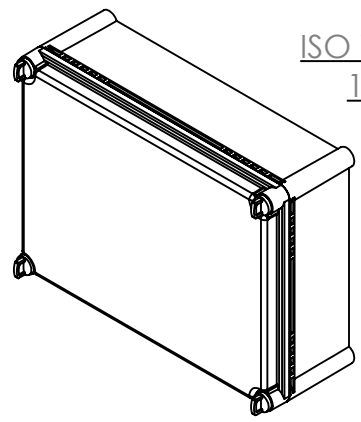


1 2 3 4 5 6

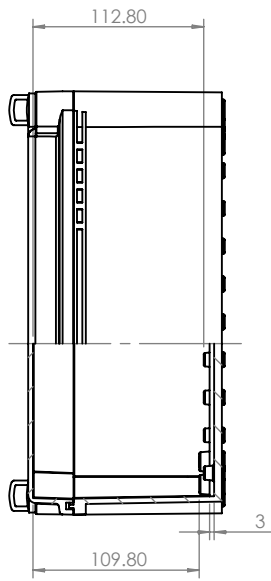
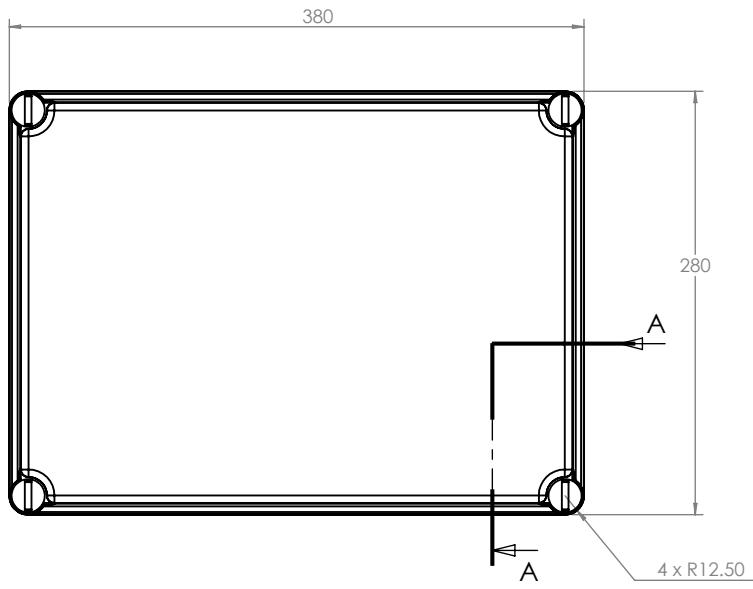
A



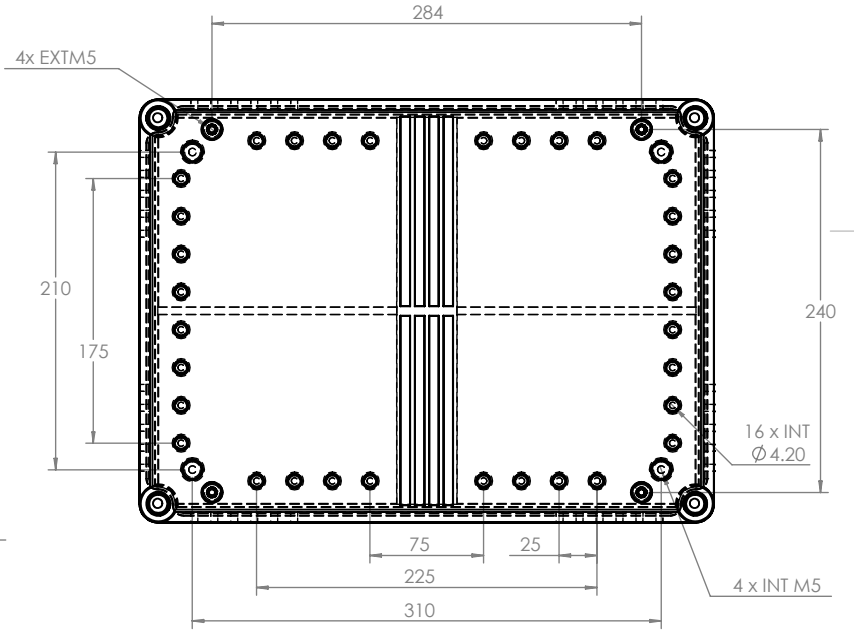
ISO VIEW
1:8



B



SECTION A-A



C

D

PART NUMBER	DESCRIPTION
CHDX7-230	POLYCARB, SOLID LID
CHDX7-230C	POLYCARB, TRANSPARETN LID
CHDX7-330	ABS, SOLID LID
CHDX7-330C	ABS, TRANSPARENT LID

CAMDENBOSS
CONNECT. ENCLOSE. INNOVATE.

JAMES CARTER RD, MILDENHALL, SUFFOLK. IP28 7DE
TEL: 01638 716101 FAX: 01638 716554
EMAIL: Sales@CamdenBoss.com
WEB: www.CamdenBoss.com

UNLESS OTHERWISE SPECIFIED:
DIMENSIONS ARE IN MILLIMETERS

FINISH:
CLEAN AND BURR FREE

COLOUR:
LIGHT GREY

MATERIAL:
SEE TABLE

PROJECTION:

GENERAL TOLERANCES +/- 0.2

REVISION:

TITLE: X7 SERIES HEAVY DUTY
380x280x130

DWG NO: CHDX7-380x280x130 A4

	NAME	SIGNED	DATE
DRAWN	IAN PAGANO	I.P.	04/03/19
CHKD	-	-	-

SCALE: 1:5

SHEET 1 OF 1

DO NOT SCALE DRAWING

1 2 3