

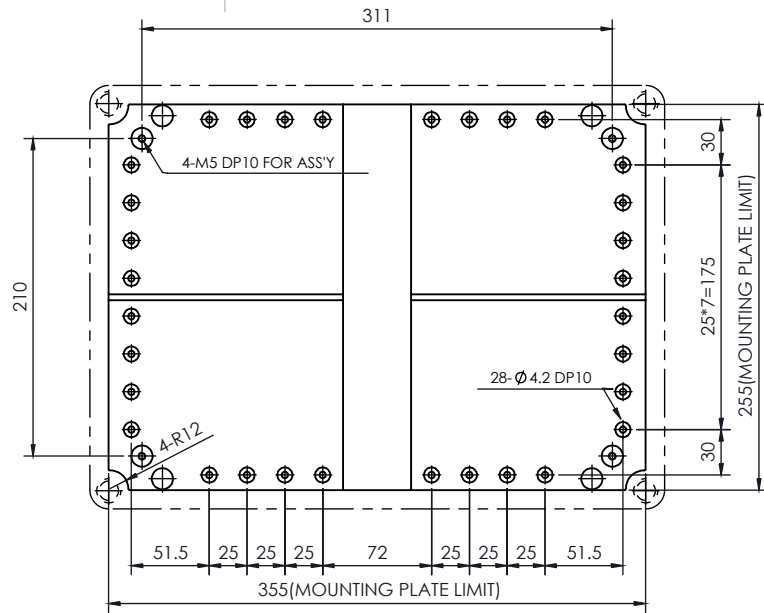
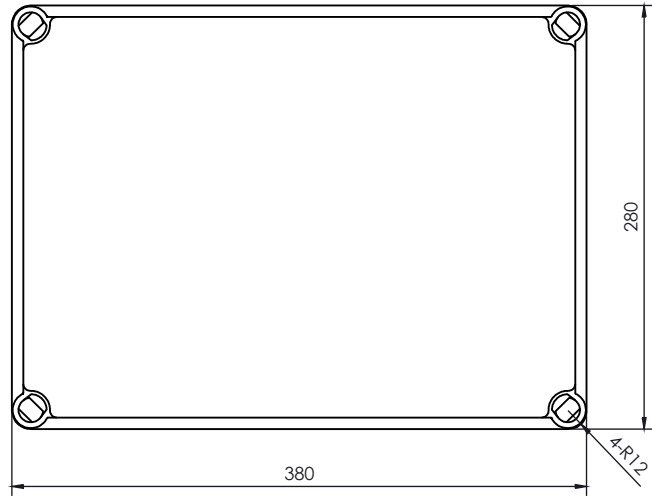
1 2 3 4 5 6

A

B

A

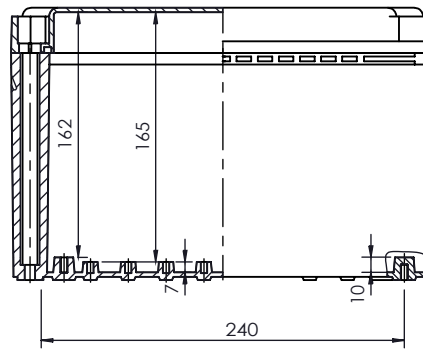
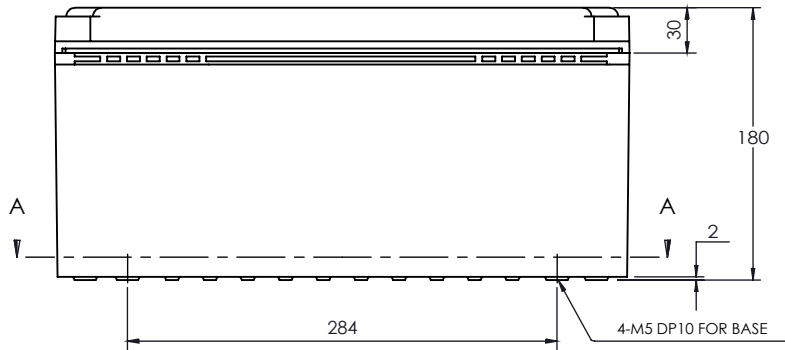
B



SECTION A-A

C

C



PART NUMBER	DESCRIPTION
CHDX7-224	Polycarb, Solid Lid
CHDX7-224C	Polycarb, Transparent Lid
CHDX7-324	ABS, Solid Lid
CHDX7-324C	ABS, Transparent Lid

D

D

**CAMDENBOSS**  
 JAMES CARTER RD, MILDENHALL, SUFFOLK. IP28 7DE  
 TEL: 01638 716101 FAX: 01638 716554  
 EMAIL: Sales@CamdenBoss.com  
 WEB: www.CamdenBoss.com

NAME	SIGNED	DATE
DRAWN A.GOODENOUGH	A.G	08/12/17
CHKD J.DICKINSON	J.H.D	08/12/17

UNLESS OTHERWISE SPECIFIED:  
DIMENSIONS ARE IN MILLIMETERS

FINISH:  
CLEAN & BURR FREE

COLOUR:  
LIGHT GREY

MATERIAL:  
SEE TABLE

PROJECTION.

GENERAL TOLERANCES +/- 0.2

REVISION: ○

TITLE: **X7 Series Heavy Duty Case, 280x380x180**

DWG NO. **CHDX7 (280x380x180)** A4

SCALE: 1:5 SHEET 1 OF 1 DO NOT SCALE DRAWING

1 2 3