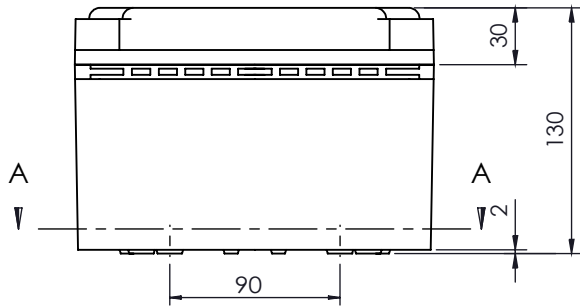
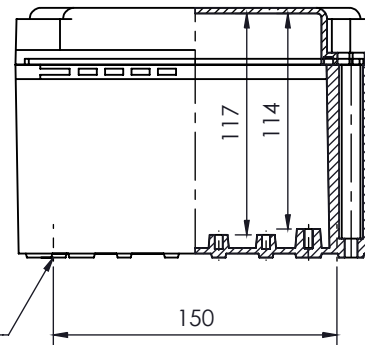




SECTION A-A



4-M5 DP10 FOR BASE



PART NUMBER	DESCRIPTION
CHDX7-221	Polycarb, Solid Lid
CHDX7-221C	Polycarb, Transparent Lid
CHDX7-321	ABS, Solid Lid
CHDX7-321C	ABS, Transparent Lid

 CAMDENBOSS JAMES CARTER RD, MILDENHALL, SUFFOLK. IP28 7DE TEL: 01638 716101 FAX: 01638 716554 EMAIL: Sales@CamdenBoss.com WEB: www.CamdenBoss.com			UNLESS OTHERWISE SPECIFIED: DIMENSIONS ARE IN MILLIMETERS	GENERAL TOLERANCES +/- 0.2	REVISION. <input type="checkbox"/>
			FINISH. CLEAN & BURR FREE	TITLE: X7 Series Heavy Duty, 190x190x130	
	COLOUR. LIGHT GREY	MATERIAL. SEE TABLE	DWG NO. CHDX7 (190x190x130)	A4	
DRAWN A.GOODENOUGH	SIGNED A.G	DATE 08/12/17	PROJECTION. 	SCALE: 1:4	SHEET 1 OF 1
CHKD J.DICKINSON	SIGNED J.H.D	DATE 08/12/17	DO NOT SCALE DRAWING		