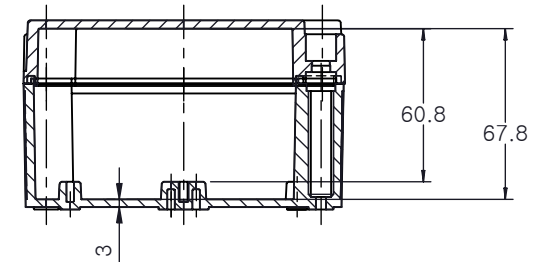
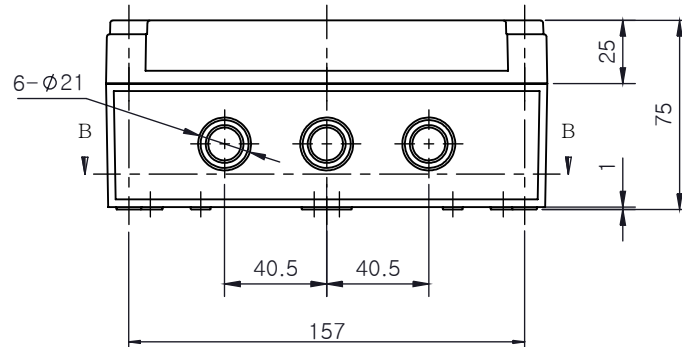
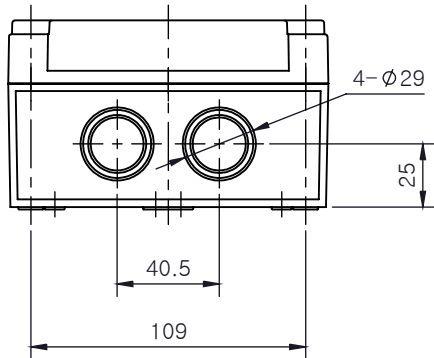
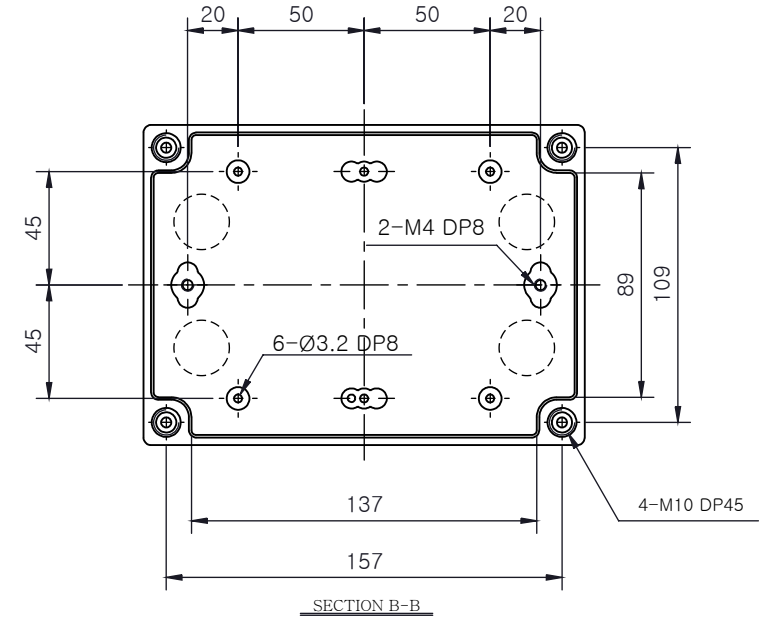
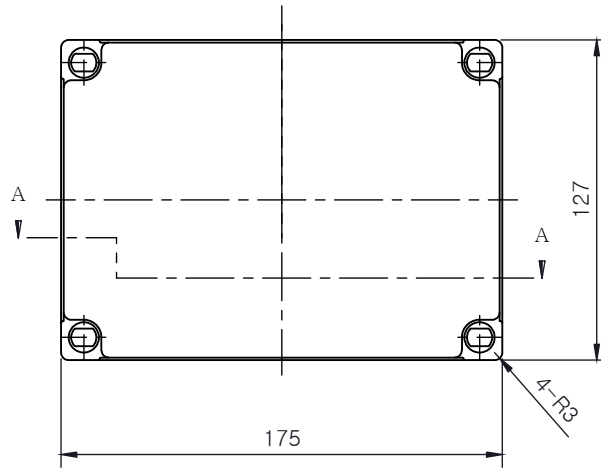


PART NUMBER	Description
CHDX6-229	Polycarb, Solid Lid
CHDX6-229C	Polycarb, Transparent Lid
CHDX6-329	ABS, Solid Lid
CHDX6-329C	ABS, Transparent Lid



SECTION A-A

SECTION B-B

SECTION C-C

<p><b>CAMDENBOSS</b>          JAMES CARTER RD, MILDENHALL, SUFFOLK. IP28 7DE          TEL: 01638 716101 FAX: 01638 716554          EMAIL: Sales@CamdenBoss.com          WEB: www.CamdenBoss.com</p>			UNLESS OTHERWISE SPECIFIED: DIMENSIONS ARE IN MILLIMETERS	GENERAL TOLERANCES +/- 0.2	REVISION: ○
			FINISH: LID GLOSS, BASE LIGHT SPARK	TITLE: X6 Series Knock out Enclosure, 175x127x75	
DRAWN: ALWIN B.K. ABK 08/12/17			COLOUR: LIGHT GREY	DWG NO: CHDX6 (175x127x75) A4	
CHKD: A.GOODENOUGH A.G 08/12/17			MATERIAL: SEE TABLE	SCALE: 1:3	SHEET 1 OF 1
			PROJECTION:	DO NOT SCALE DRAWING	