

1 2 3 4 5 6

A

A

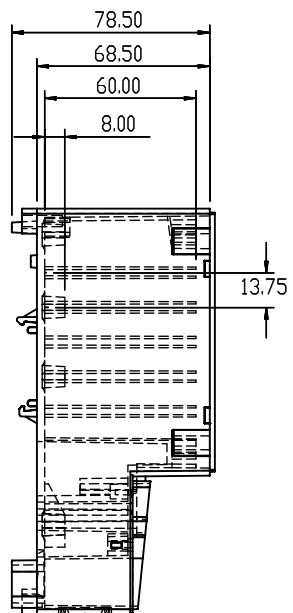
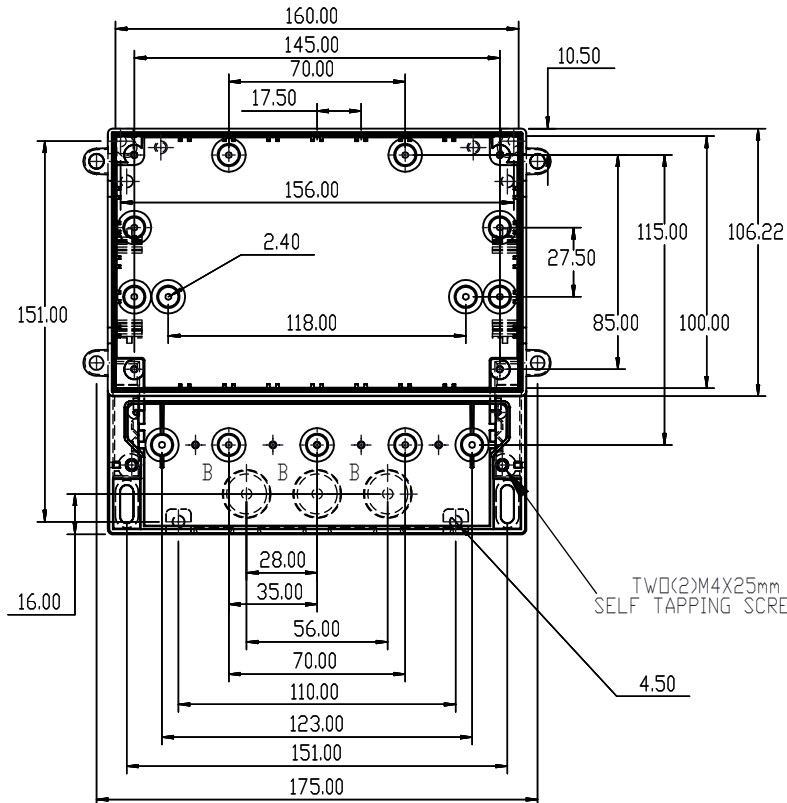
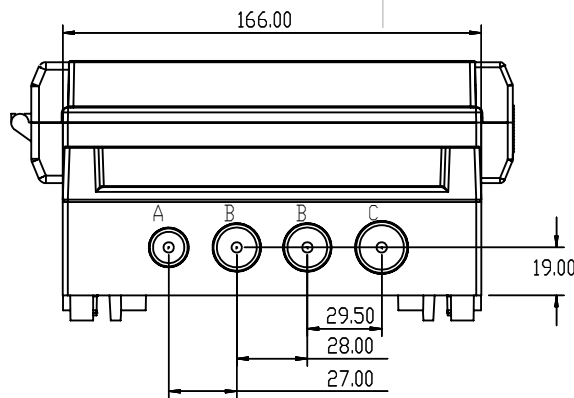
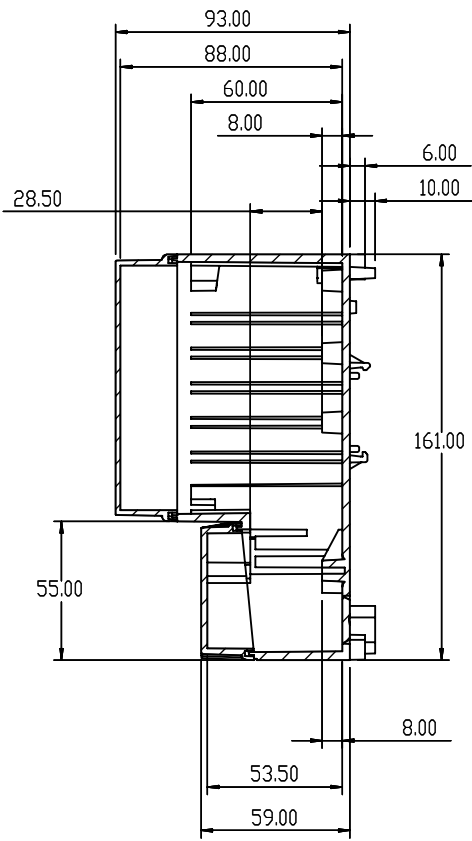
B

B

C

C

D



	DIMENSION	CABLE GLAND
A	15.6mm	PG 9(OR M12)
B	19.0mm	PG 11(OR M16)
C	20.8mm	PG 13.5(OR M20)

<p><b>CAMDENBOSS</b>          JAMES CARTER RD, MILDENHALL, SUFFOLK. IP28 7DE          TEL: 01638 716101 FAX: 01638 716554          EMAIL: Sales@CamdenBoss.com          WEB: www.CamdenBoss.com</p>				UNLESS OTHERWISE SPECIFIED: DIMENSIONS ARE IN MILLIMETERS		DO NOT SCALE DRAWING		REVISION. <input type="radio"/>	
				GENERAL TOLERANCES +/- 0.2		TITLE: <b>7700 SERIES SIZE 1 WALL MOUNT BOX HINGED LID</b>			
FINISH. NONE		MATERIAL. UL 94 - V0 ABS/PC		DWG NO. <b>CHD771001</b>		A4			
DRAWN	IAN PAGANO	SIGNED	I.P.	DATE	07/01/14	PROJECTION.		SCALE. 1:3	SHEET 1 OF 1
CHK'D	DAN SMALLEY	D.S.		08/01/14					

1 2 3