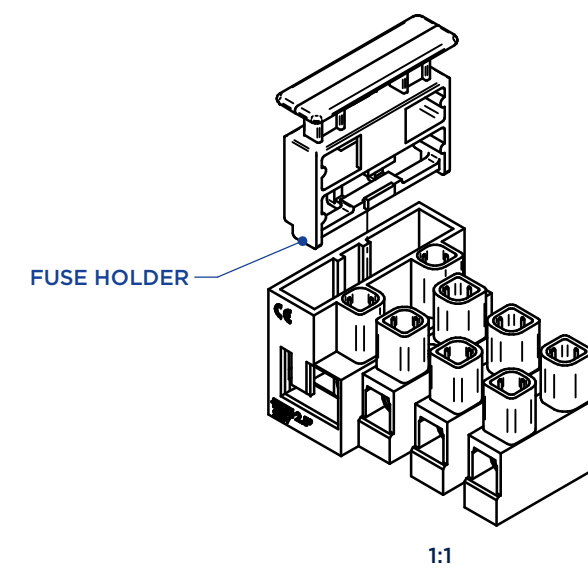
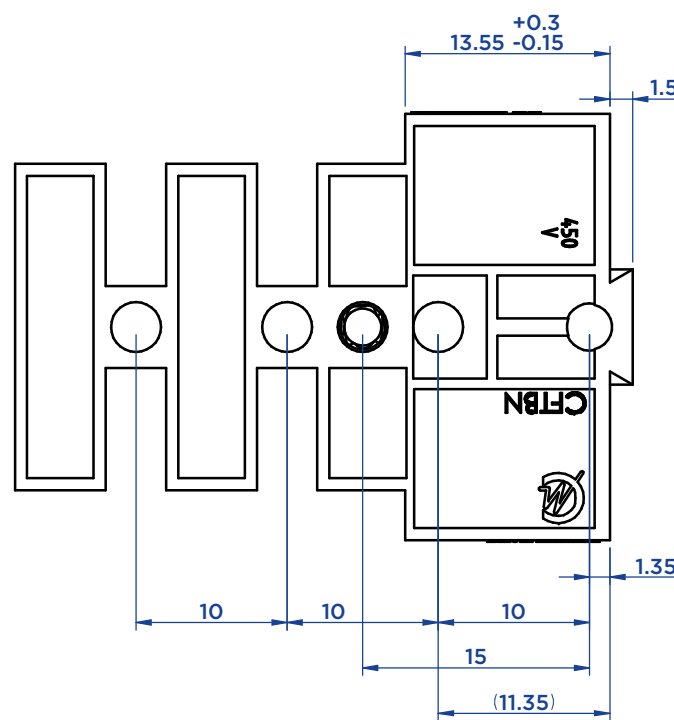
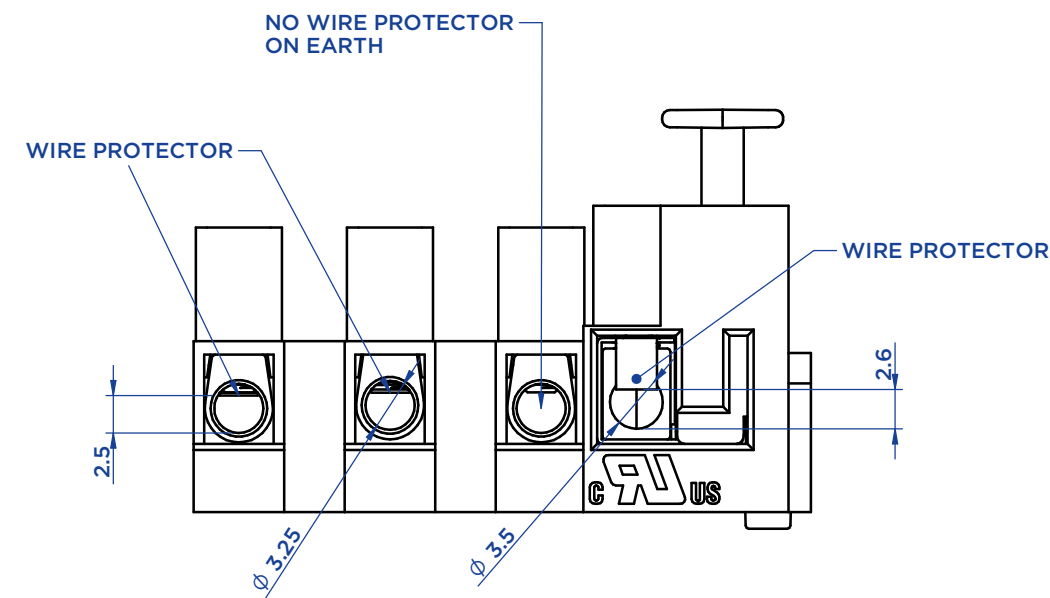
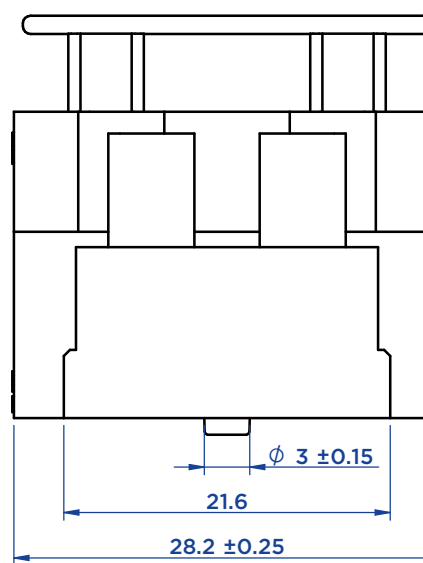
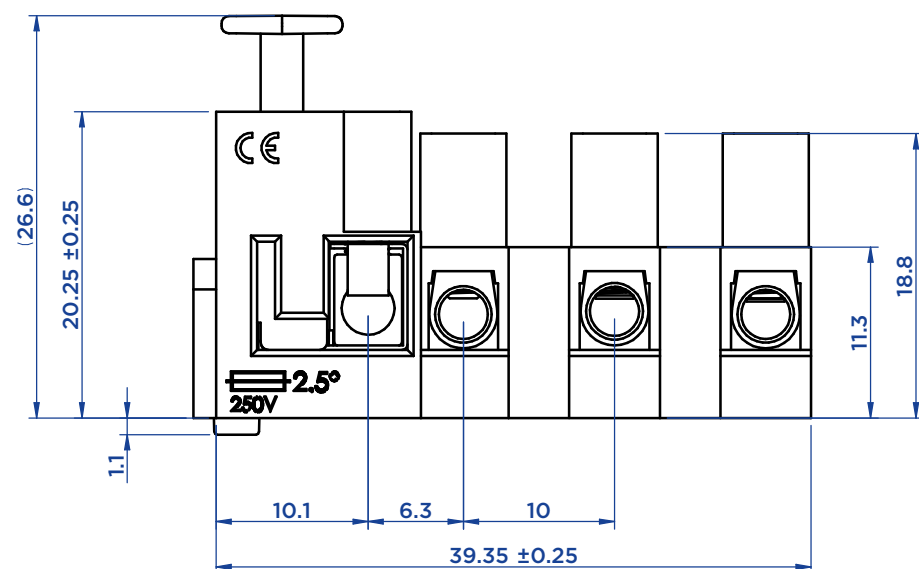
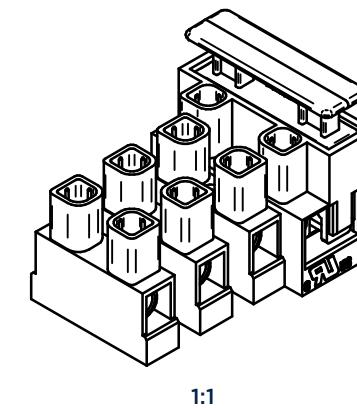
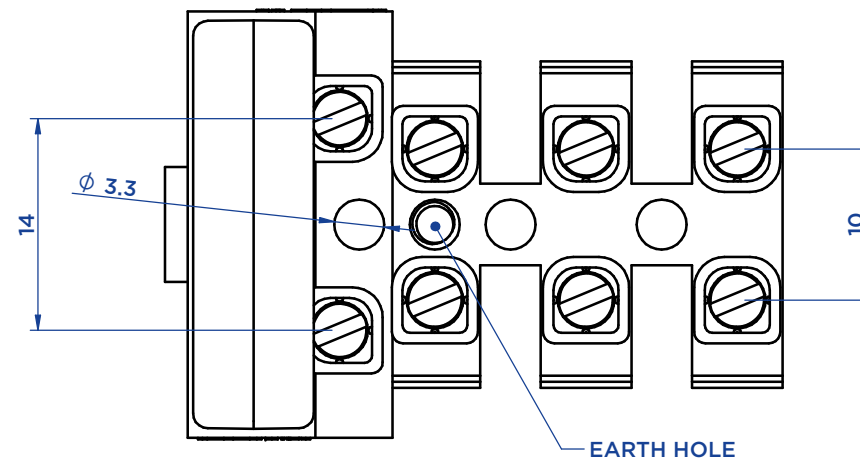


GENERAL TOLERANCE OF $\pm 0.20\text{mm}$
UNLESS OTHERWISE STATED



REVISION	DATE	INPD #	DESCRIPTION	COMPLETED BY	DRAWING UNITS: MILLIMETERS TOLERANCES: SEE CRITICAL DIMENSIONS	PROJECTION	COLOUR: LIGHT-GREY SIMILAR TO RAL 7035 FINISH: FINE TEXTURE MATERIAL: PA66, UL94 V0 @ 0.4mm GW1 775°C @ 0.8mm	GAUGE: N/A TITLE: DRAWING FOR CFTBN/4, WITH EARTH HOLE, WIRE PROTECTOR ON TERMINALS (NOT ON EARTH) DWG NO: CFTBN_4EWP-D	DO NOT SCALE DRAWING DEBURR AND BREAK SHARP EDGES	SCALE: 2:1 SHEET 1 OF 1 A3
-	-	-	-	-	-	-	-	-	-	-
D	25/09/23	476	DIMENSIONAL REVIEW, INCLUSION OF SPIGOT, UKCA NOT ADDED TO TOOL	S. HARDINGE						
A	09/07/21		FIRST DRAWN	I.PAGANO						

CAMDENBOSS
CONNECT. ENCLOSE. INNOVATE.