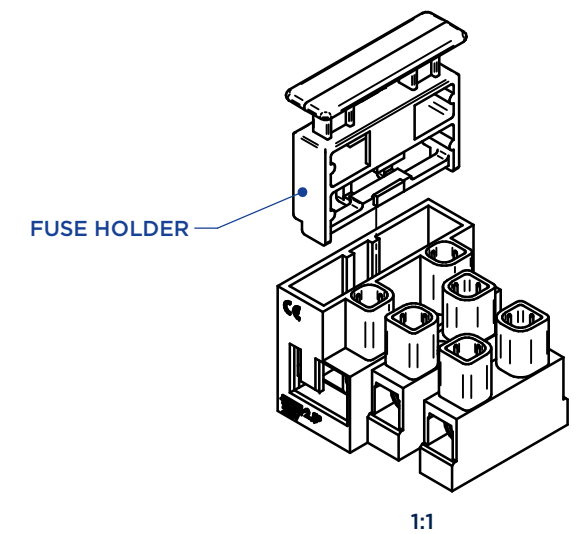
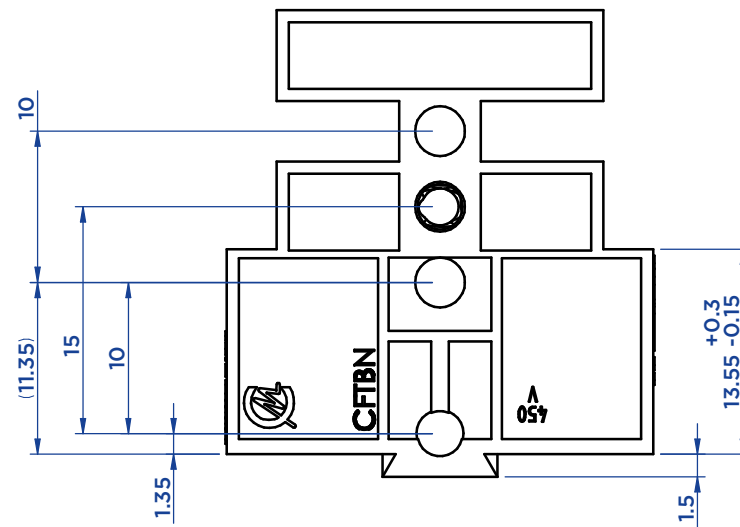
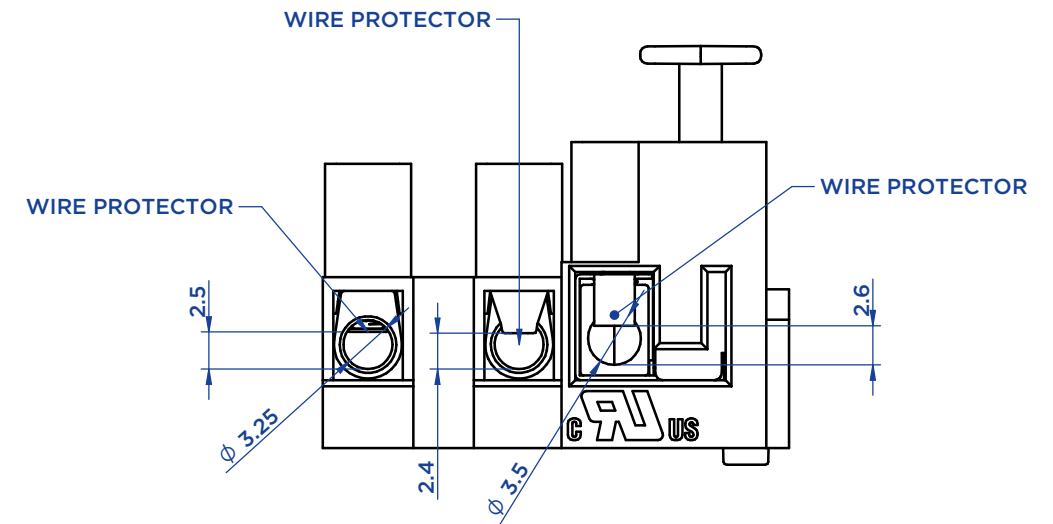
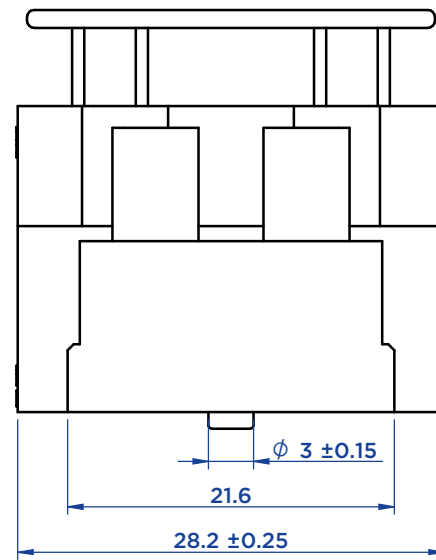
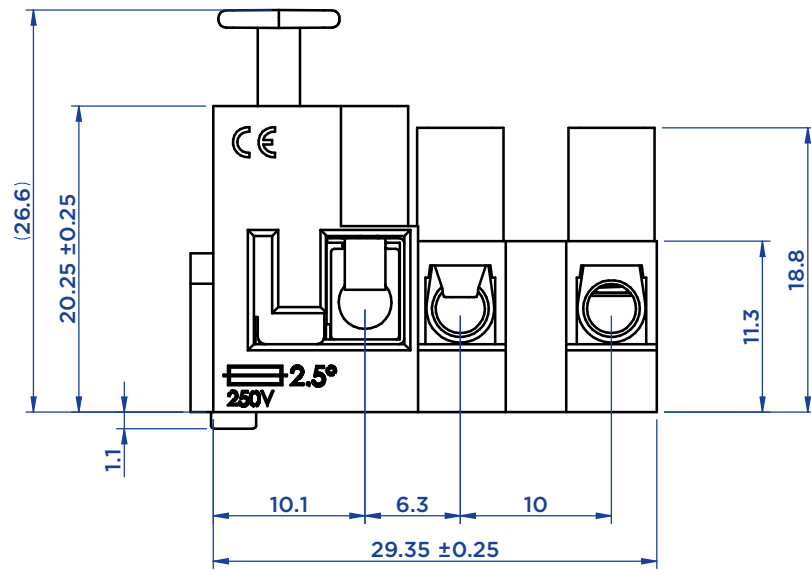
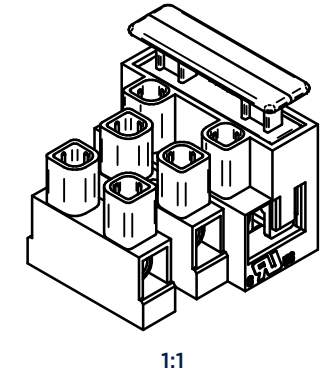
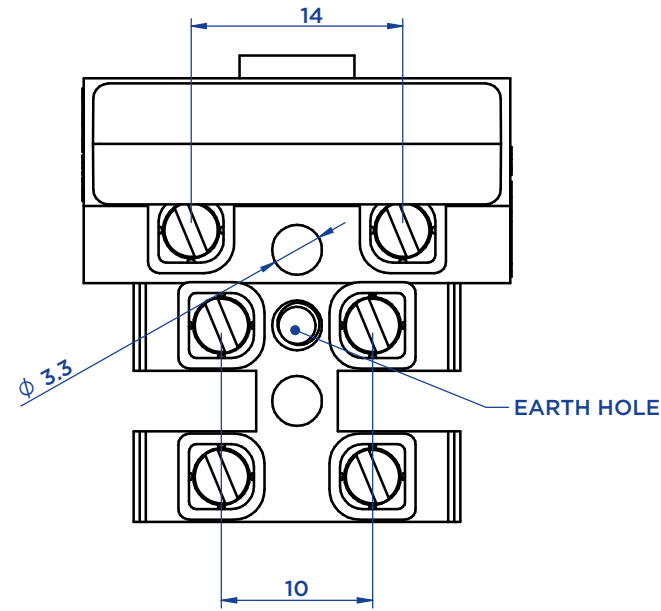


GENERAL TOLERANCE OF $\pm 0.20\text{mm}$
UNLESS OTHERWISE STATED



-			-		CAMDENBOSS CONNECT. ENCLOSE. INNOVATE.	COLOUR: LIGHT-GREY SIMILAR TO RAL 7035	GAUGE: N/A	DO NOT SCALE DRAWING DEBURR AND BREAK SHARP EDGES	SCALE: 2:1
D	25/09/23	476	DIMENSIONAL REVIEW, INCLUSION OF SPIGOT, UKCA NOT ADDED TO TOOL			S. HARDINGE	FINISH: FINE TEXTURE	TITLE: DRAWING FOR CFTBN/3, WITH EARTH HOLE, WIRE PROTECTOR ON TERMINALS INC: EARTH	
A	09/07/21		FIRST DRAWN		I.PAGANO	MATERIAL: PA66, UL94 V0 @ 0.4mm GW1 775°C @ 0.8mm	DWG NO:	CFTBN_3EWPG -D	A3
REVISION	DATE	INPD #	DESCRIPTION		COMPLETED BY	DRAWING UNITS: MILLIMETERS TOLERANCES: SEE CRITICAL DIMENSIONS	PROJECTION		