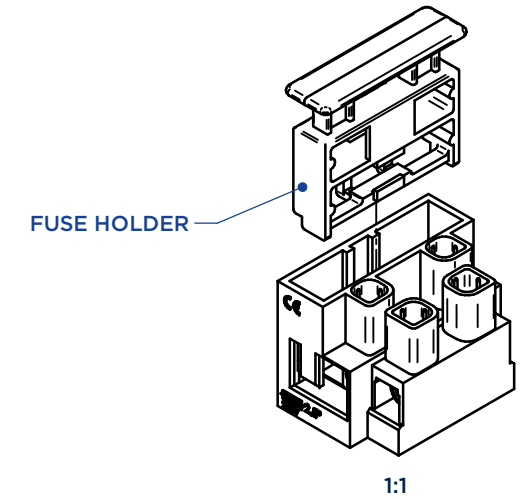
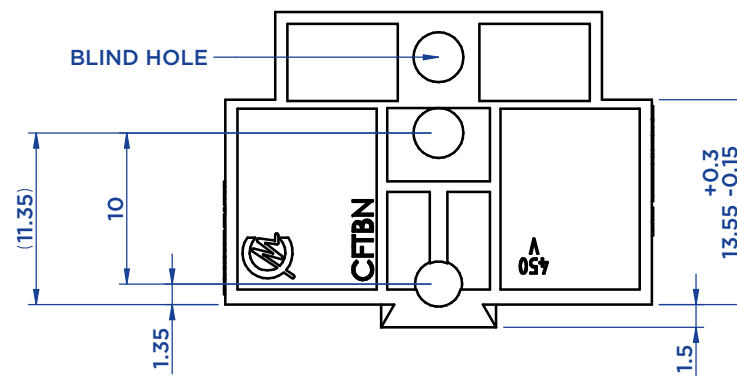
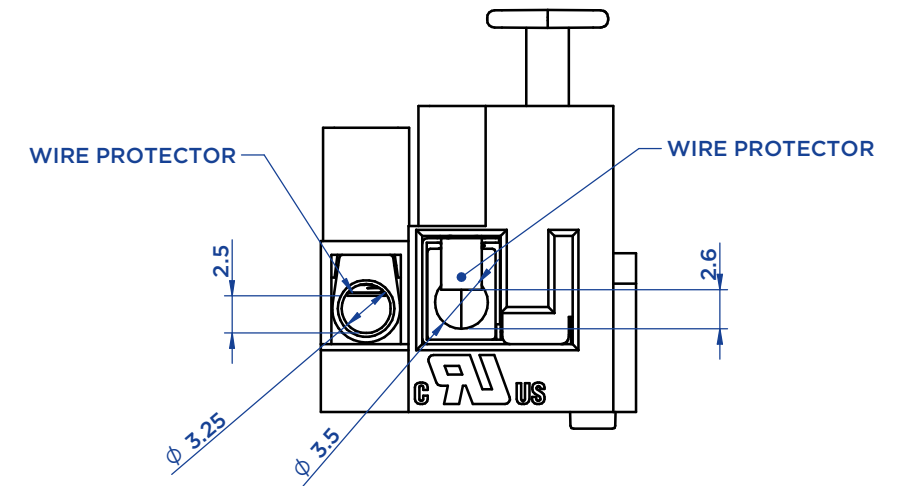
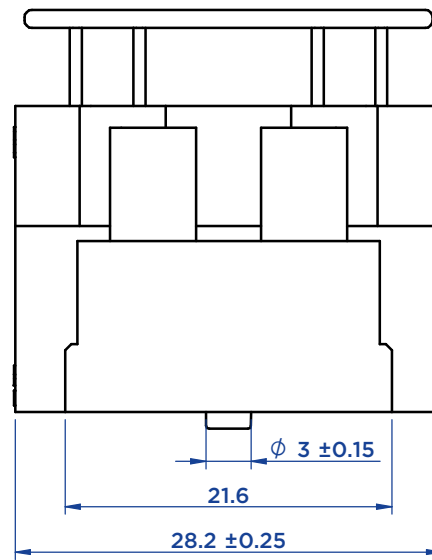
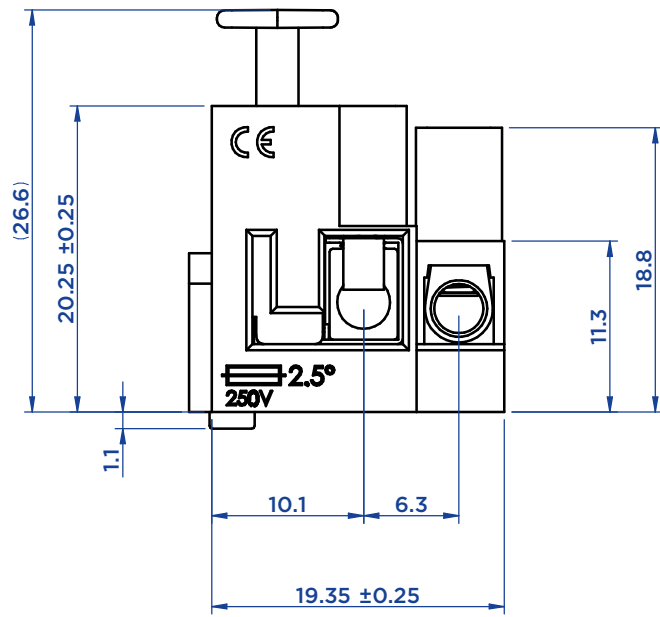
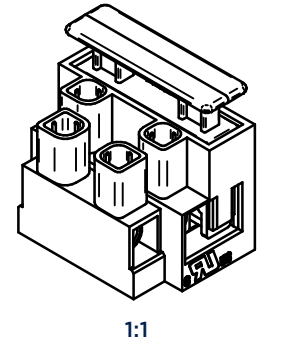
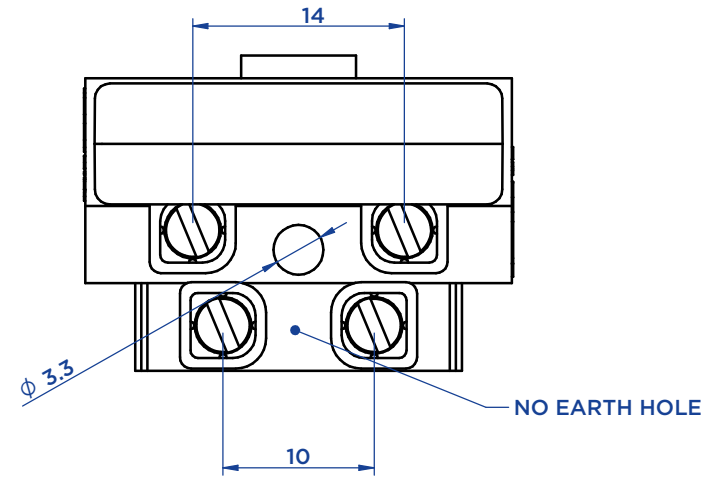


GENERAL TOLERANCE OF $\pm 0.20\text{mm}$
UNLESS OTHERWISE STATED



REVISION	DATE	INPD #	DESCRIPTION	COMPLETED BY
-	-	-	-	-
D	25/09/23	476	DIMENSIONAL REVIEW, INCLUSION OF SPIGOT, UKCA NOT ADDED TO TOOL	S. HARDINGE
A	09/07/21		FIRST DRAWN	I.PAGANO

CAMDENBOSS
CONNECT. ENCLOSE. INNOVATE.

DRAWING UNITS: MILLIMETERS
TOLERANCES: SEE CRITICAL DIMENSIONS

PROJECTION

COLOUR: LIGHT-GREY SIMILAR TO RAL 7035
FINISH: FINE TEXTURE
MATERIAL: PA66, UL94 V0 @ 0.4mm
GW1 775°C @ 0.8mm

GAUGE: N/A
TITLE: DRAWING FOR CFTBN/2, WITH EARTH HOLE, WIRE PROTECTOR ON TERMINALS
DWG NO: CFTBN_2WP -D

DO NOT SCALE DRAWING
DEBURR AND BREAK SHARP EDGES
SCALE: 2:1
SHEET 1 OF 1
A3