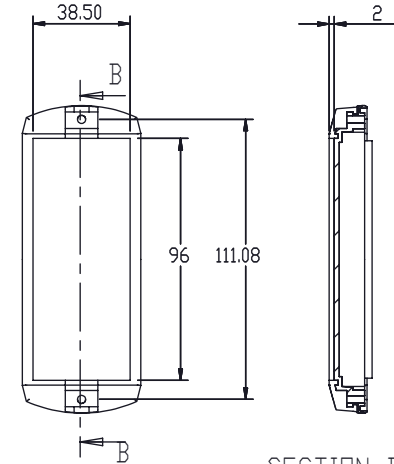
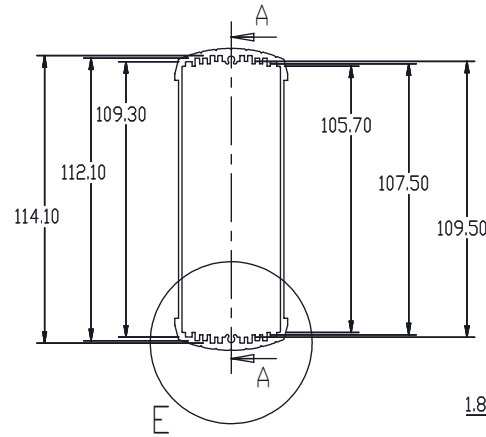
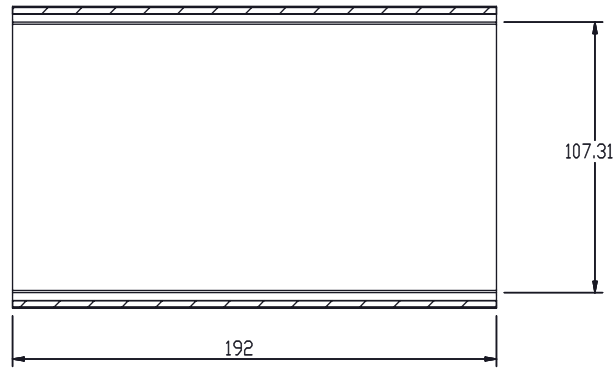


SECTION A-A
SCALE 1 : 3

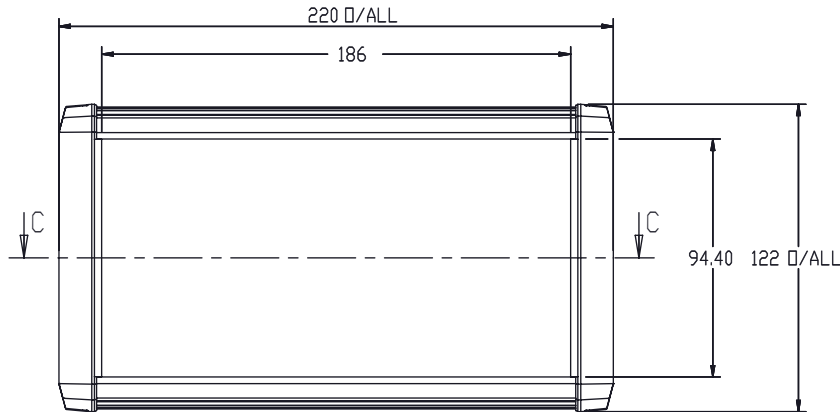


PROFILE

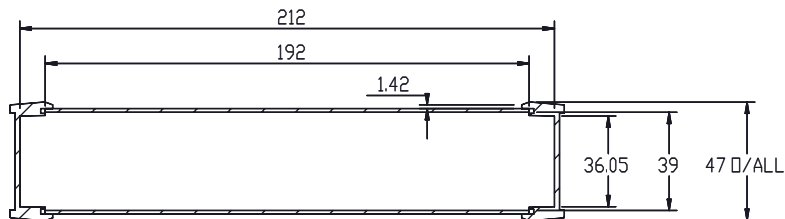
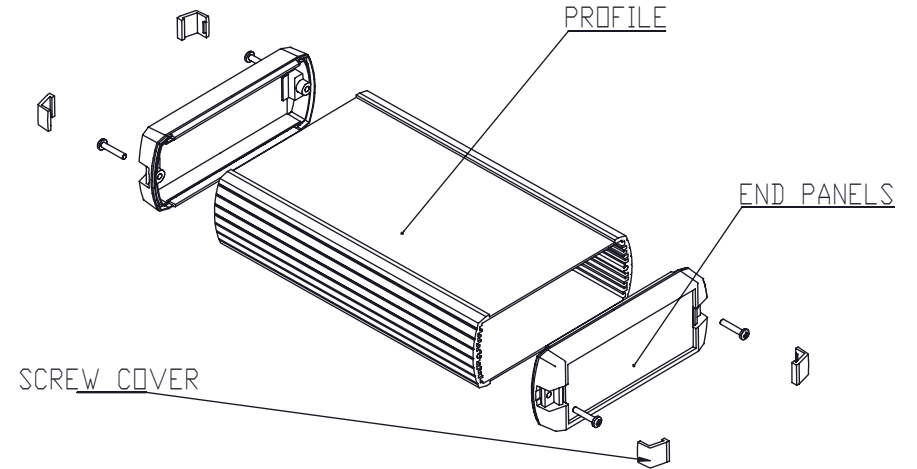
END COVER

SECTION B-B

ASSEMBLY



ISO VIEW
1:4



SECTION C-C

<p>CAMDENBOSS JAMES CARTER RD, MILDENHALL, SUFFOLK, IP28 7DE TEL: 01638 716101 FAX: 01638 716554 EMAIL: SALES@BOSS-ENCLOSURES.CO.UK WEB: WWW.BOSS-ENCLOSURES.CO.UK</p>		UNLESS OTHERWISE SPECIFIED: DIMENSIONS ARE IN MILLIMETERS	DO NOT SCALE DRAWING	REVISION: 0
		FINISH: EPOXY PAINT	TITLE: GNL ASSEMBLY DRG FOR 55 SERIES	
DRAWN IAN PAGANO	SIGNED I.P.	DATE 06/08/13	MATERIAL: ALUMINIUM	DWG NO. CEAREPG06
CHK'D			PROJECTION:	SCALE: 1 : 3
				SHEET 1 OF 1

A4