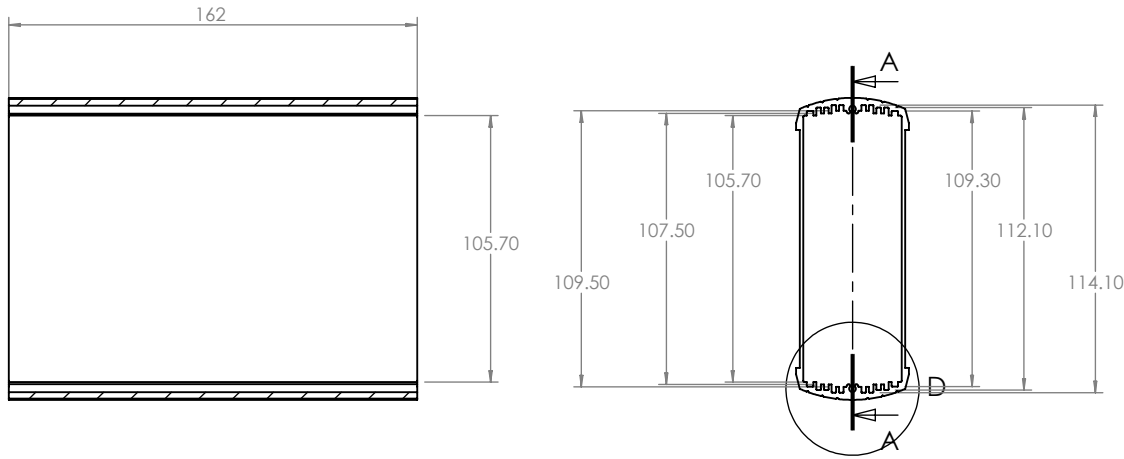


SECTION A-A

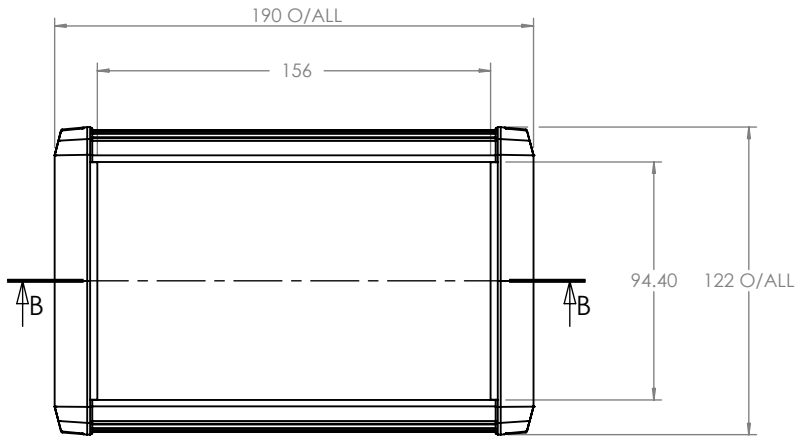


DETAIL D

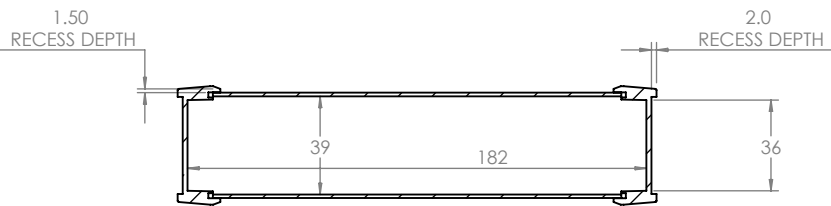
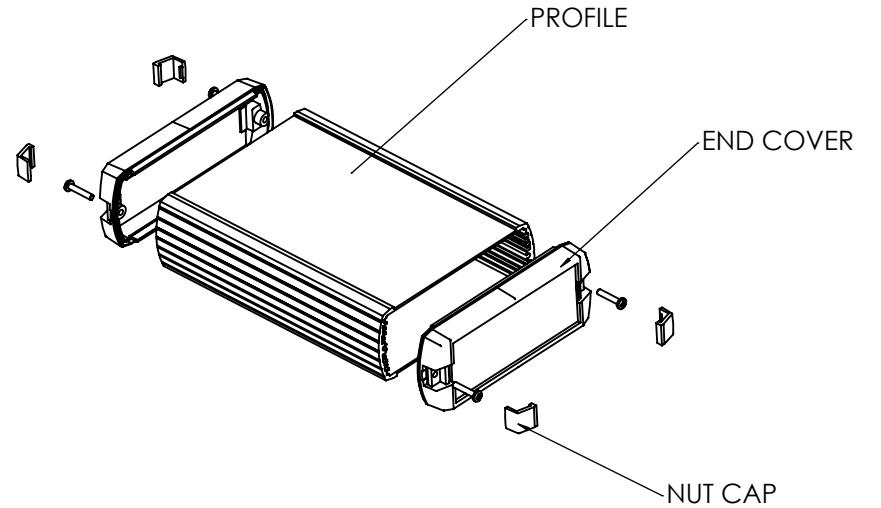
END COVER

PROFILE



ASSEMBLY



ISO VIEW  
1:4



SECTION B-B

 <b>CAMDENBOSS</b> JAMES CARTER RD, MILDENHALL, SUFFOLK. IP28 7DE TEL: 01638 716101 FAX: 01638 716554 EMAIL: Sales@CamdenBoss.com WEB: www.CamdenBoss.com		UNLESS OTHERWISE SPECIFIED: DIMENSIONS ARE IN MILLIMETERS		DO NOT SCALE DRAWING	REVISION. 0
		FINISH. <b>EPOXY PAINT</b>		TITLE: <b>GNL ASSEMBLY DRG FOR 55 SERIES</b>	
DRAWN	NAME IAN PAGANO	SIGNED I.P.	DATE 06/08/13	MATERIAL. <b>ALUMINIUM</b>	DWG NO. <b>CEAREPB05</b>
CHKD	-	-	-	PROJECTION. 	SCALE: 1 : 2
					SHEET 1 OF 1

A4