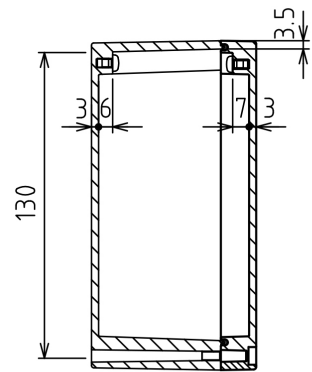
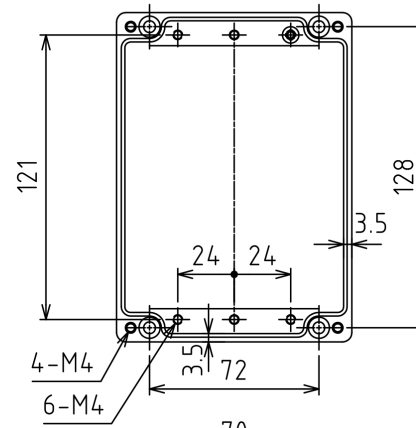
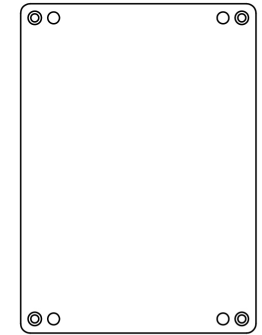
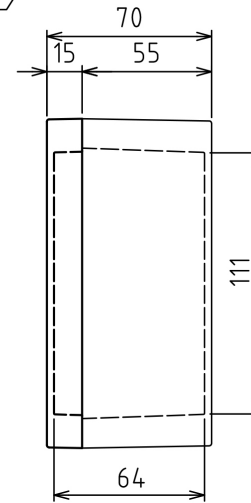
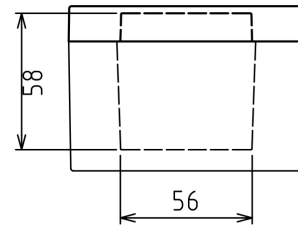
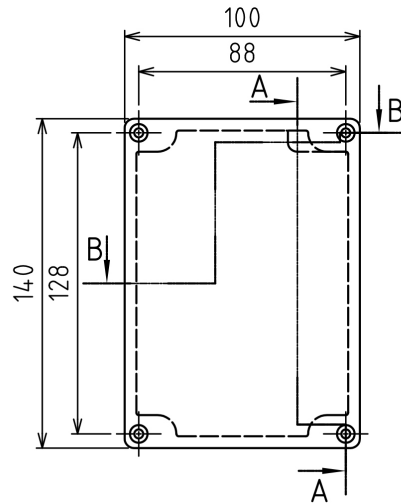




B-B



A-A



 CAMDENBOSS JAMES CARTER RD, MILDENHALL, SUFFOLK. IP28 7DE TEL: 01638 716101 FAX: 01638 716554 EMAIL: Sales@CamdenBoss.com WEB: www.CamdenBoss.com				UNLESS OTHERWISE SPECIFIED: DIMENSIONS ARE IN MILLIMETERS		DO NOT SCALE DRAWING		REVISION. 0	
				FINISH.		TITLE: GNL ASSEMBLY DRG FOR 96 SERIES			
DRAWN ??		SIGNED ?		DATE ?		MATERIAL: ALUMINIUM		DWG NO. CDM9610NL	
CHKD -		-		-		PROJECTION. 		SCALE: 1 : 1	
								SHEET 1 OF 1	