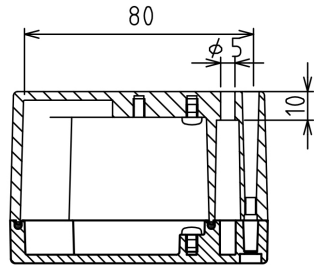
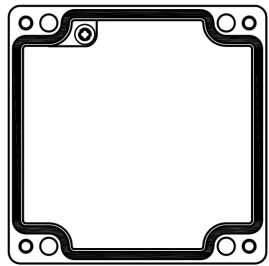


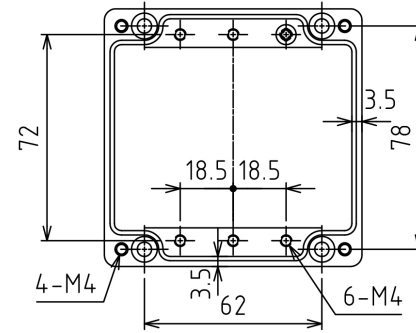
1 2 3 4 5 6

A

A

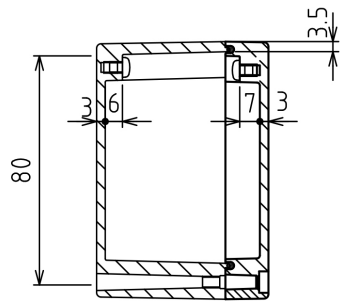


B-B

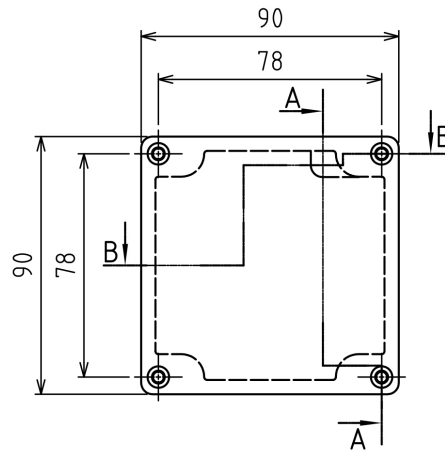


B

B

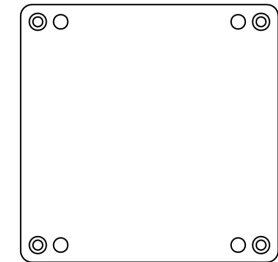
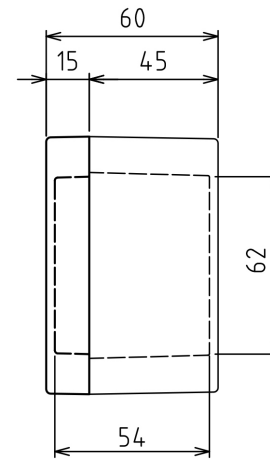


A-A



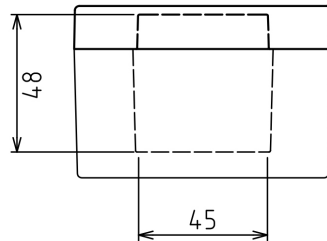
C



C



D

D



 CAMDENBOSS JAMES CARTER RD, MILDENHALL, SUFFOLK. IP28 7DE TEL: 01638 716101 FAX: 01638 716554 EMAIL: Sales@CamdenBoss.com WEB: www.CamdenBoss.com				UNLESS OTHERWISE SPECIFIED: DIMENSIONS ARE IN MILLIMETERS		DO NOT SCALE DRAWING		REVISION: 0	
				FINISH.		TITLE: GNL ASSEMBLY DRG FOR 96 SERIES			
DRAWN: ??		SIGNED: ?		DATE: ?		MATERIAL: ALUMINIUM		DWG NO. CDM9607NL	
CHKD: -		-		-		PROJECTION: 		SCALE: 1 : 1	
								SHEET 1 OF 1	

1 2 3