

1 2 3 4 5 6

A

B

C

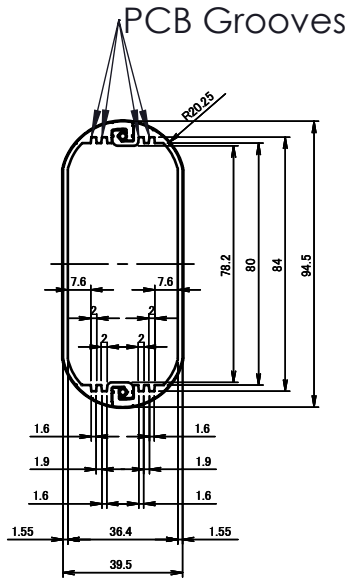
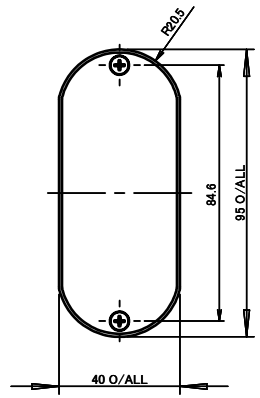
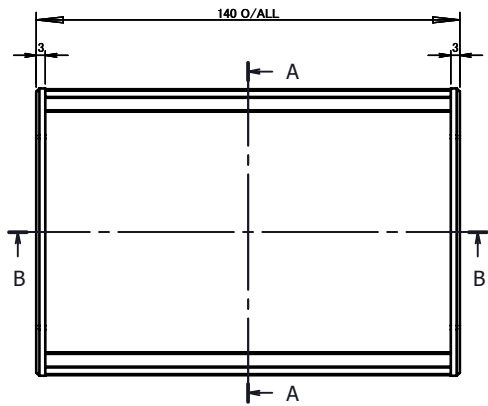
D

A

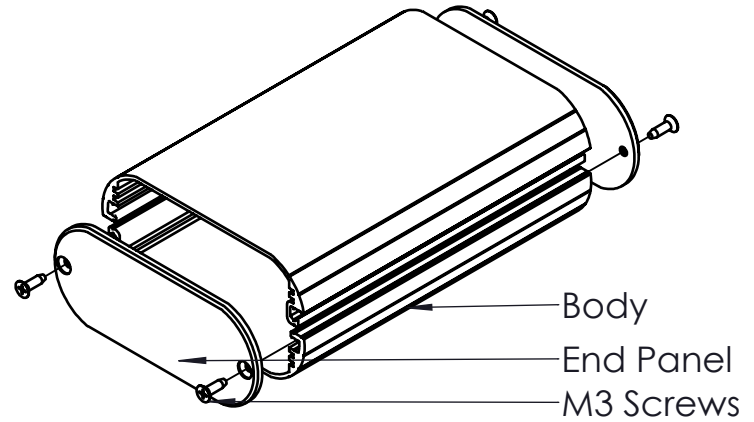
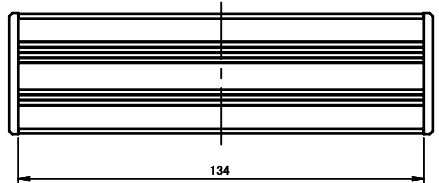
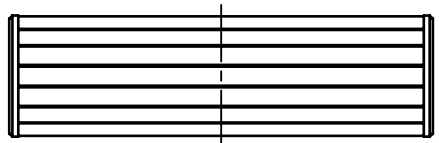
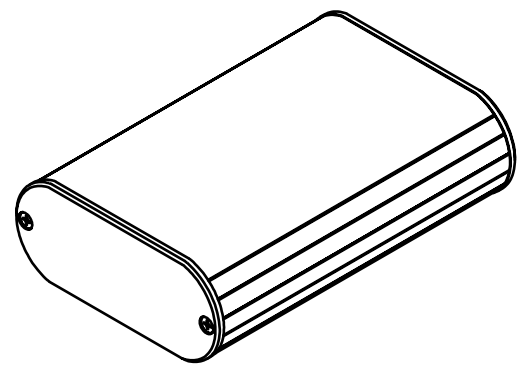
B

C



D



ISO VIEW
2:5



Body
End Panel
M3 Screws

 CAMDENBOSS JAMES CARTER RD, MILDENHALL, SUFFOLK. IP28 7DE TEL: 01638 716101 FAX: 01638 716554 EMAIL: Sales@CamdenBoss.com WEB: www.CamdenBoss.com				UNLESS OTHERWISE SPECIFIED: DIMENSIONS ARE IN MILLIMETERS		DO NOT SCALE DRAWING		REVISION. ○		
				GENERAL TOLERANCES +/- 0.2		TITLE: 85 SERIES ROUND ALUMINIUM ENCLOSURES, SIZE 27, SILVER 140x95x40				
DRAWN		NAME	SIGNED	DATE	FINISH. SILVER		MATERIAL. ALUMINIUM			
LEWIS LETCHFORD		LL		30/01/2014	DWG NO. CDM8527SL		A4			
CHK'D		-	-	-	PROJECTION. 		SCALE. 2:5		SHEET 1 OF 1	

1 2 3 4 5 6