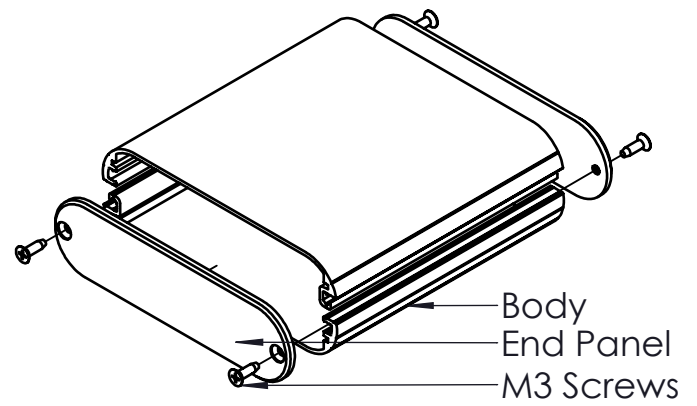
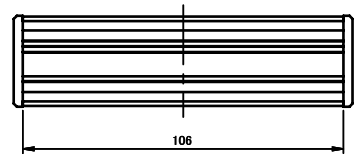
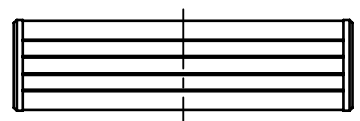
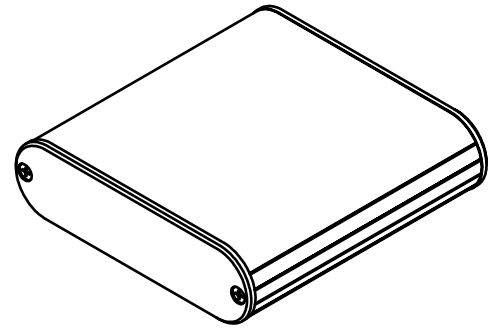




ISO VIEW
2:5



| | | | | | | | |
|---|-----------------|--|--|-------------|---|------------|------------------------|
|  CAMDENBOSS JAMES CARTER RD, MILDENHALL, SUFFOLK. IP28 7DE TEL: 01638 716101 FAX: 01638 716554 EMAIL: Sales@CamdenBoss.com WEB: www.CamdenBoss.com | | UNLESS OTHERWISE SPECIFIED: DIMENSIONS ARE IN MILLIMETERS | DO NOT SCALE DRAWING | REVISION. ○ | | | |
| | | GENERAL TOLERANCES +/- 0.2 | TITLE: 85 SERIES ROUND ALUMINIUM ENCLOSURES, SIZE 20, SILVER 112x110x30 | | | | |
| DRAWN | | NAME | SIGNED | DATE | MATERIAL. | DWG NO. | CDM8520SL A4 |
| CHK'D | LEWIS LETCHFORD | LL | | 30/01/2014 | ALUMINIUM | | |
| | | FINISH. | | | PROJECTION. | SCALE: 2:5 | SHEET 1 OF 1 |
| | | SILVER | | |  | | |