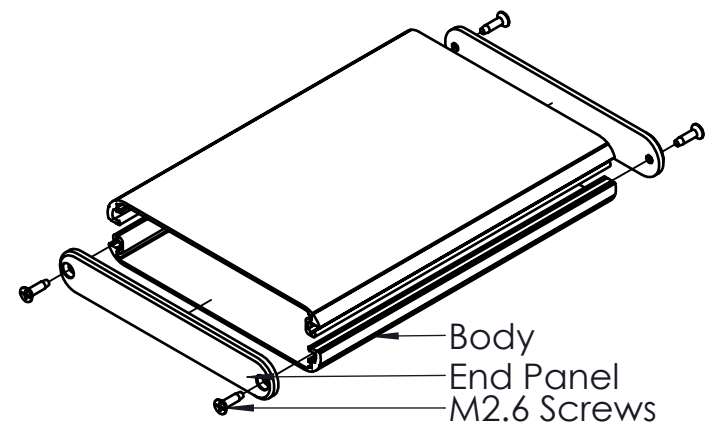
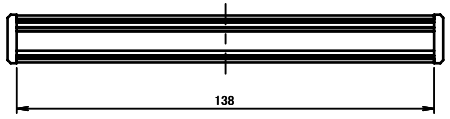
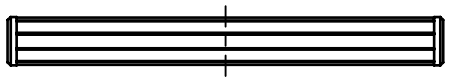
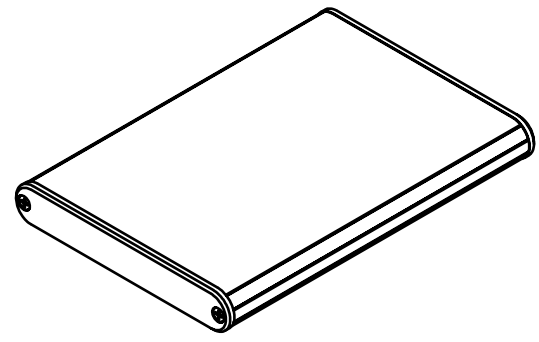




ISO VIEW  
2:5



 <b>CAMDENBOSS</b> JAMES CARTER RD, MILDENHALL, SUFFOLK. IP28 7DE TEL: 01638 716101 FAX: 01638 716554 EMAIL: Sales@CamdenBoss.com WEB: www.CamdenBoss.com		UNLESS OTHERWISE SPECIFIED: DIMENSIONS ARE IN MILLIMETERS	DO NOT SCALE DRAWING	REVISION. ○
		GENERAL TOLERANCES +/- 0.2	TITLE: <b>85 SERIES ROUND ALUMINIUM ENCLOSURES, SIZE 18, BLACK 144x100x16</b>	
DRAWN		FINISH. <b>BLACK</b>	DWG NO. <b>CDM8518BK</b>	
NAME	SIGNED	DATE	MATERIAL. <b>ALUMINIUM</b>	<b>A4</b>
LEWIS LETCHFORD	LL	30/01/2014	PROJECTION. 	SCALE: 2.5
CHK'D	-	-	SHEET 1 OF 1	