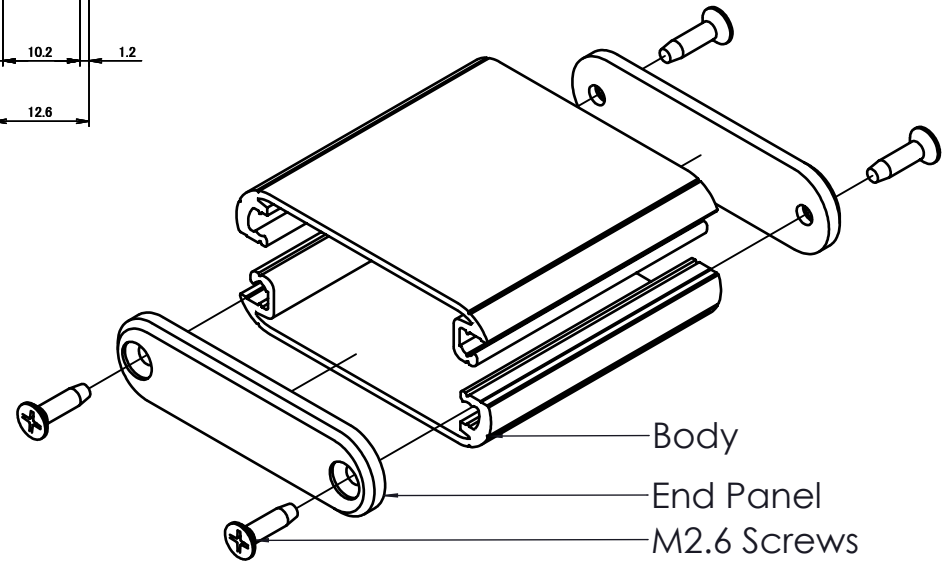
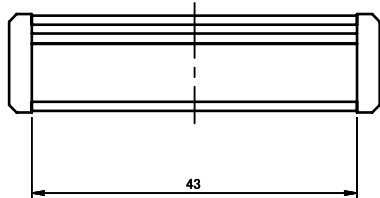
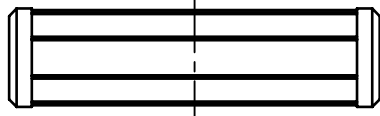
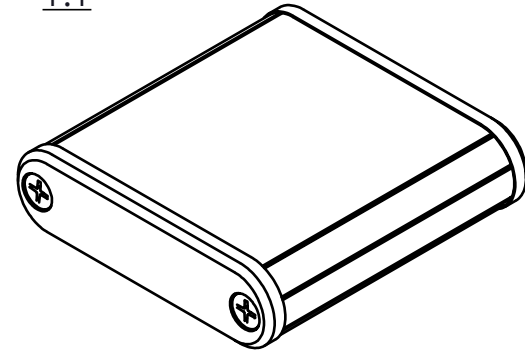




ISO VIEW
1:1



Body

End Panel

M2.6 Screws

 CAMDENBOSS JAMES CARTER RD, MILDENHALL, SUFFOLK. IP28 7DE TEL: 01638 716101 FAX: 01638 716554 EMAIL: Sales@CamdenBoss.com WEB: www.CamdenBoss.com		UNLESS OTHERWISE SPECIFIED: DIMENSIONS ARE IN MILLIMETERS	DO NOT SCALE DRAWING	REVISION. ○
		GENERAL TOLERANCES +/- 0.2	TITLE: 85 SERIES ROUND ALUMINIUM ENCLOSURES, SIZE 1, BLACK 49x48x13	
DRAWN LEWIS LETCHFORD		FINISH. BLACK	DWG NO. CDM8501BK	
NAME	SIGNED	DATE	MATERIAL. ALUMINIUM	SCALE. 1:1
CHK'D	-	-	PROJECTION. 	SHEET 1 OF 1

A4