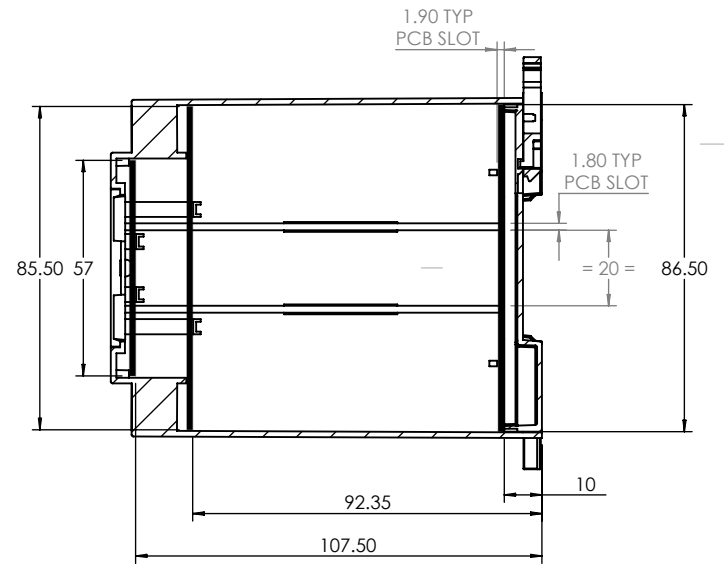
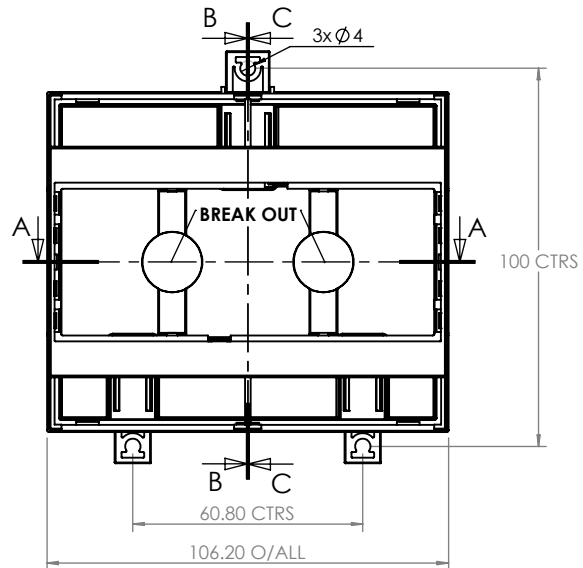
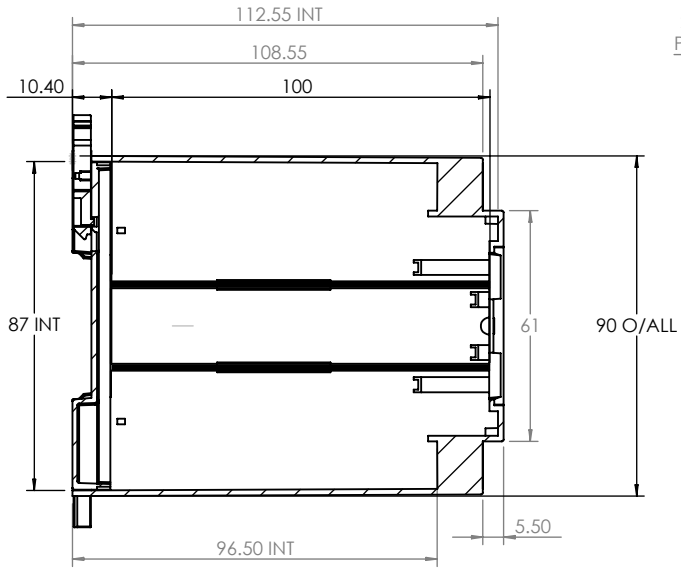
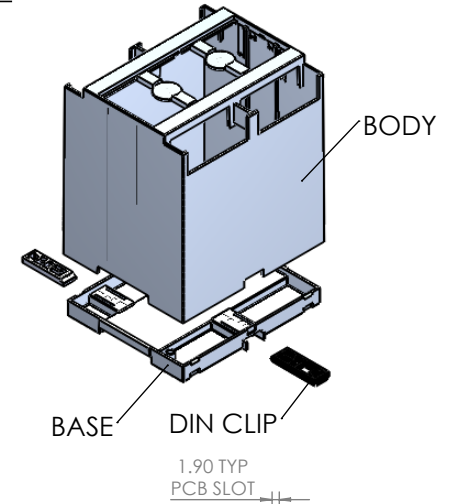




ISO VIEW  
1:4



**DIN CLIPS ARE SHOWN IN WALL MOUNTING POSITION**

 <b>CAMDENBOSS</b> JAMES CARTER RD, MILDENHALL, SUFFOLK. IP28 7DE TEL: 01638 716101 FAX: 01638 716554 EMAIL: Sales@CamdenBoss.com WEB: www.CamdenBoss.com				UNLESS OTHERWISE SPECIFIED: DIMENSIONS ARE IN MILLIMETERS		DO NOT SCALE DRAWING		REVISION. ○	
				GENERAL TOLERANCES +/- 0.2		TITLE: <b>GENERAL ASSEMBLY DRAWING FOR CDIB SERIES</b>			
				FINISH. FINE TEXTURE		DWG NO. <b>CDIB-6-D2</b>		A4	
DRAWN: MATTHEW WALLACE		SIGNED: MJW		DATE: 28/04/15		MATERIAL. <b>UL94-V0 PC RAL: 7035</b>		SCALE. 1:2	
CHKD: IAN PAGANO		SIGNED: IP		DATE: 29/04/15		PROJECTION. 		SHEET 1 OF 1	