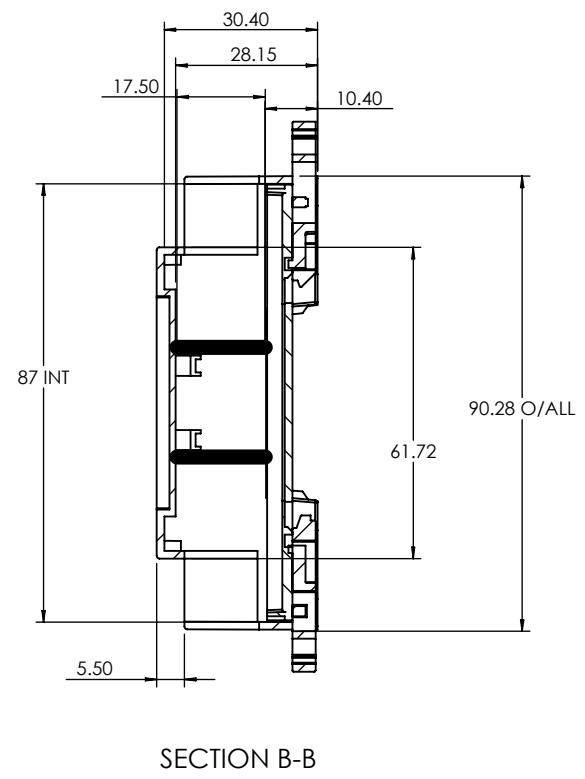
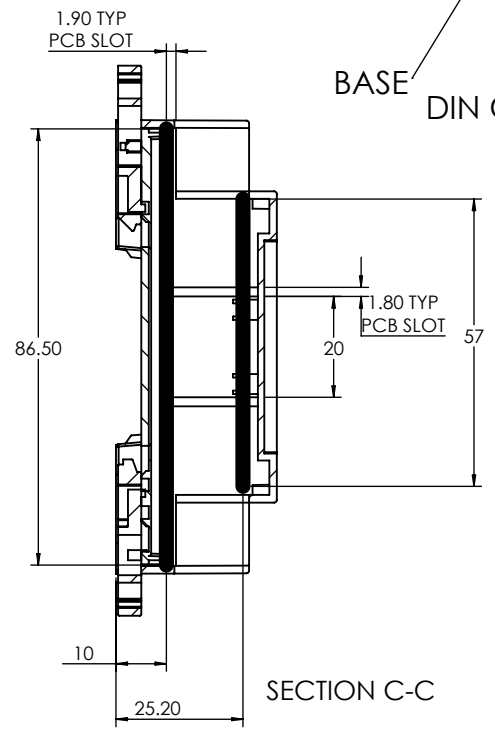
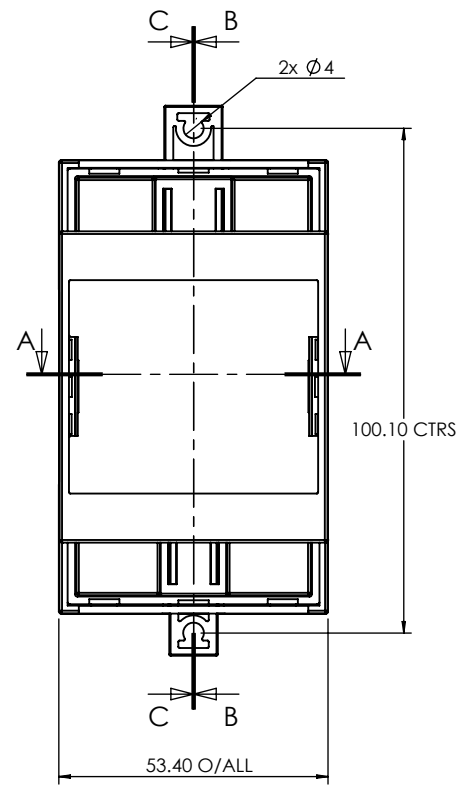
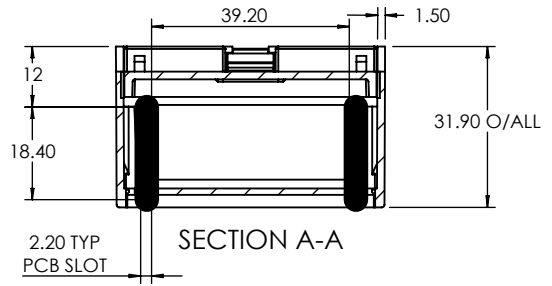
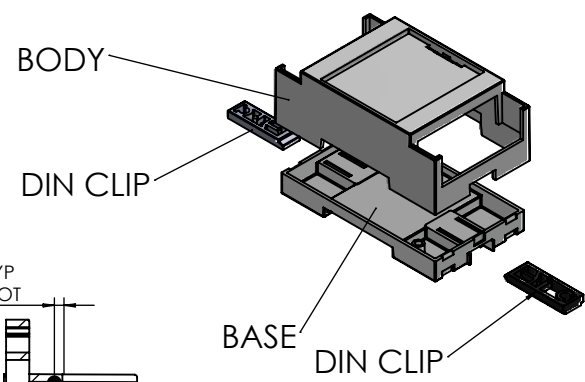



ISO VIEW

1:3



DIN CLIPS ARE SHOWN IN WALL MOUNTING POSITION

 CAMDENBOSS JAMES CARTER RD, MILDENHALL, SUFFOLK. IP28 7DE TEL: 01638 716101 FAX: 01638 716554 EMAIL: Sales@CamdenBoss.com WEB: www.CamdenBoss.com		UNLESS OTHERWISE SPECIFIED: DIMENSIONS ARE IN MILLIMETERS		DO NOT SCALE DRAWING		REVISION. <input type="radio"/>	
		GENERAL TOLERANCES +/- 0.2		TITLE: GENERAL ASSEMBLY DRAWING FOR CDIB SERIES			
FINISH. FINE TEXTURE		MATERIAL. UL94 - V0 PC RAL: 7035		DWG NO. CDIB-3ST-L2		A4	
DRAWN	IAN PAGANO	SIGNED	I.P.	DATE	22/03/17	SCALE: 2:3	SHEET 1 OF 1
CHKD	ALWIN B.K	SIGNED	A.BK	DATE	05/12/17		