

1 2 3 4 5 6

A

A

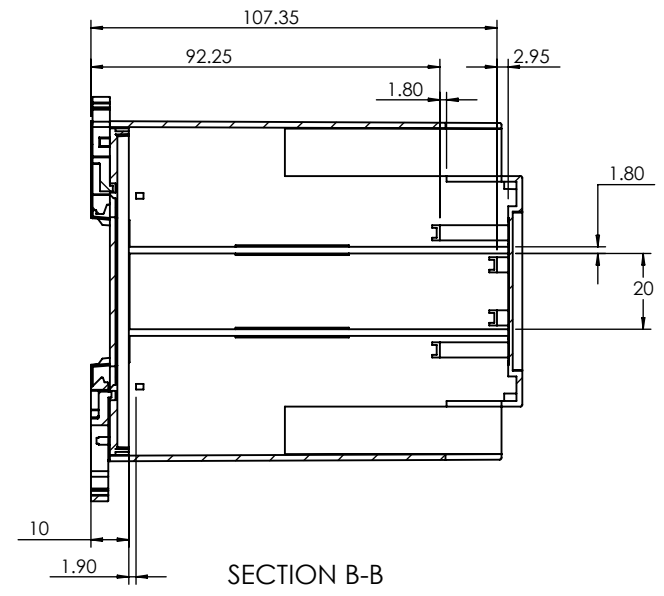
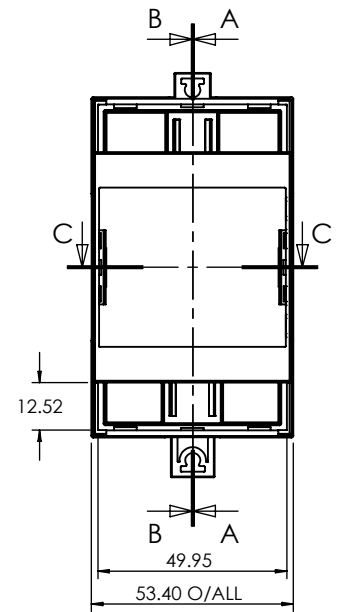
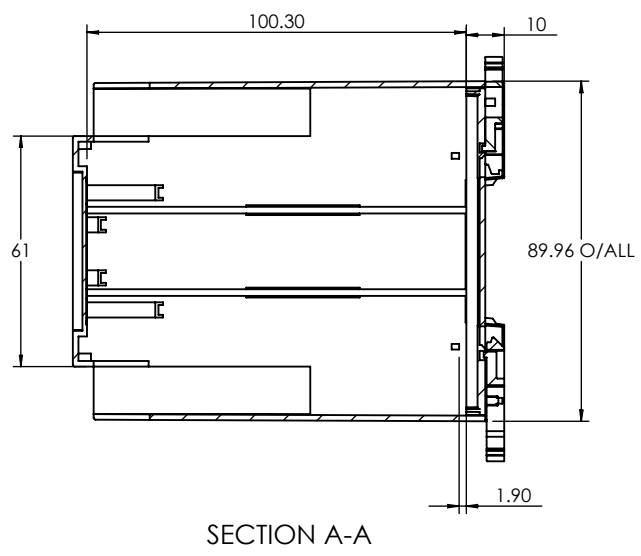
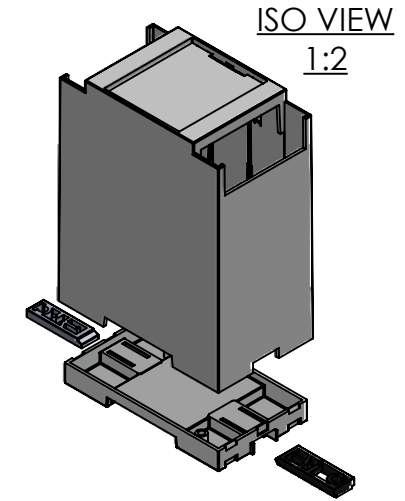
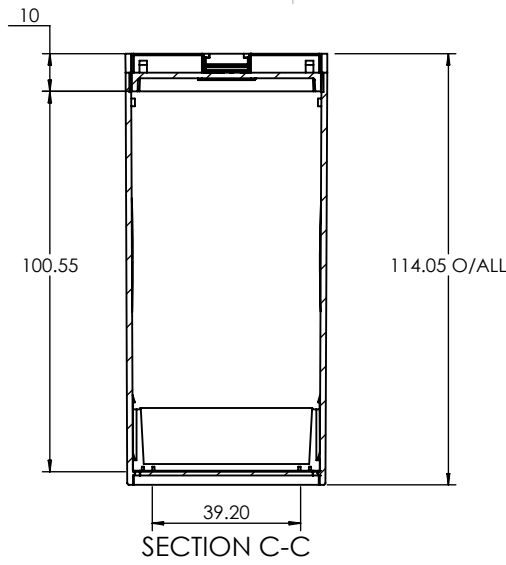
B

B



C

C

D



DIN CLIPS ARE SHOWN IN WALL MOUNTING POSITION

 CAMDENBOSS JAMES CARTER RD, MILDENHALL, SUFFOLK. IP28 7DE TEL: 01638 716101 FAX: 01638 716554 EMAIL: Sales@CamdenBoss.com WEB: www.CamdenBoss.com			UNLESS OTHERWISE SPECIFIED: DIMENSIONS ARE IN MILLIMETERS		GENERAL TOLERANCES +/- 0.2		REVISION: <input type="checkbox"/>	
			FINISH: LIGHT SPARK		TITLE: ASSEMBLY DRAWING FOR CDIB SERIES			
			COLOUR: RAL:7035		DWG NO.		CDIB-3ST-D2	
DRAWN IAN PAGANO I.P. 05/10/17			MATERIAL: PC UL 94 V0		SCALE: 2:3		SHEET 1 OF 1	
CHK'D ALWIN B.K. ALWIN 05/12/17			PROJECTION: 		DO NOT SCALE DRAWING		A4	

1 2 3