

1 2 3 4 5 6

A

A

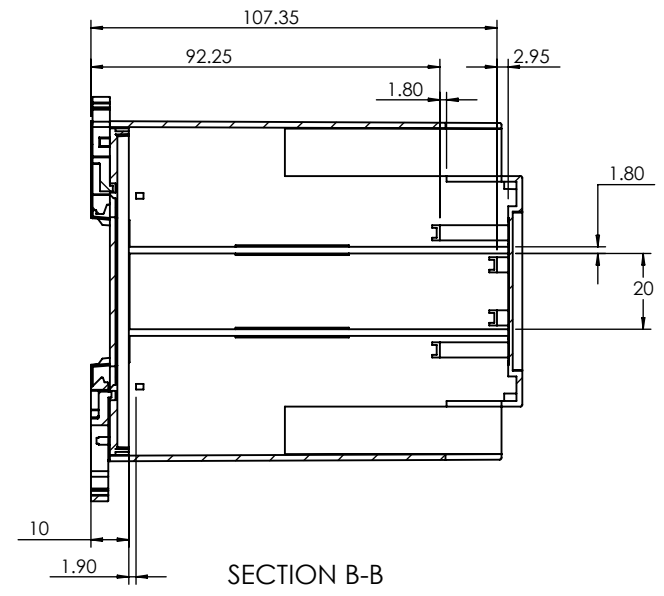
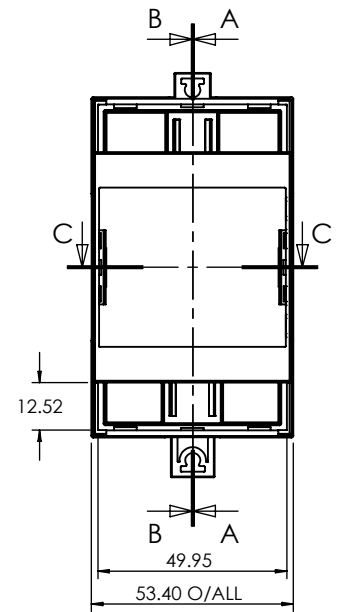
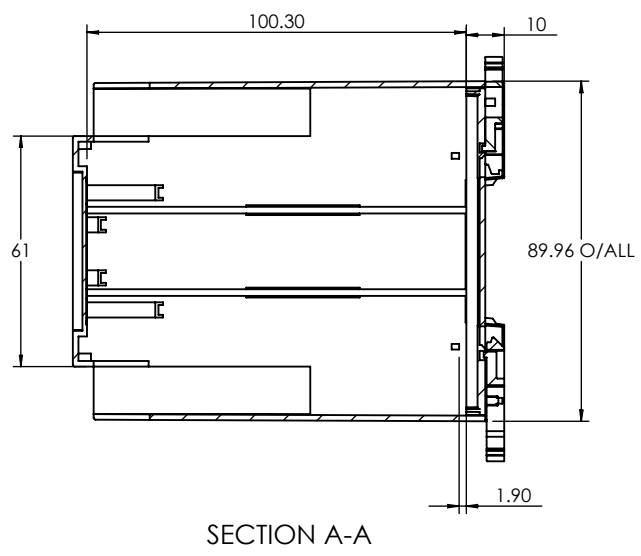
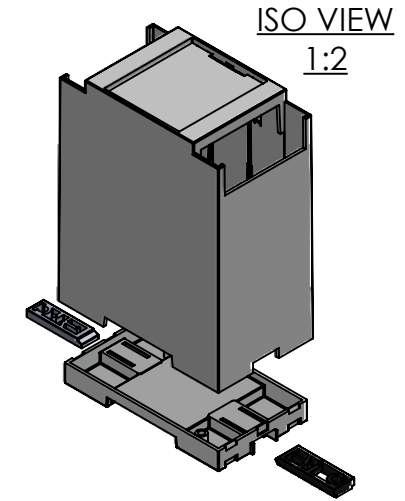
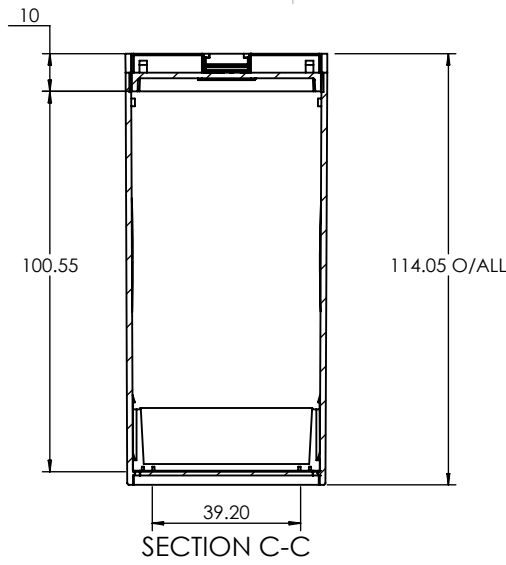
B

B



C

C

D



DIN CLIPS ARE SHOWN IN WALL MOUNTING POSITION

 CAMDENBOSS JAMES CARTER RD, MILDENHALL, SUFFOLK. IP28 7DE TEL: 01638 716101 FAX: 01638 716554 EMAIL: Sales@CamdenBoss.com WEB: www.CamdenBoss.com			UNLESS OTHERWISE SPECIFIED: DIMENSIONS ARE IN MILLIMETERS		GENERAL TOLERANCES +/- 0.2		REVISION: <input type="radio"/>	
			FINISH: LIGHT SPARK		TITLE: ASSEMBLY DRAWING FOR CDIB SERIES			
			COLOUR: RAL:7035		MATERIAL: PC UL 94 V0		DWG NO. CDIB-3ST-D2	
DRAWN IAN PAGANO I.P. 05/10/17			SIGNED ALWIN ALWIN 05/12/17		DATE 05/10/17		SCALE: 2:3	
CHK'D ALWIN B.K. ALWIN 05/12/17			PROJECTION: 		SHEET 1 OF 1		DO NOT SCALE DRAWING	

1 2 3

A4