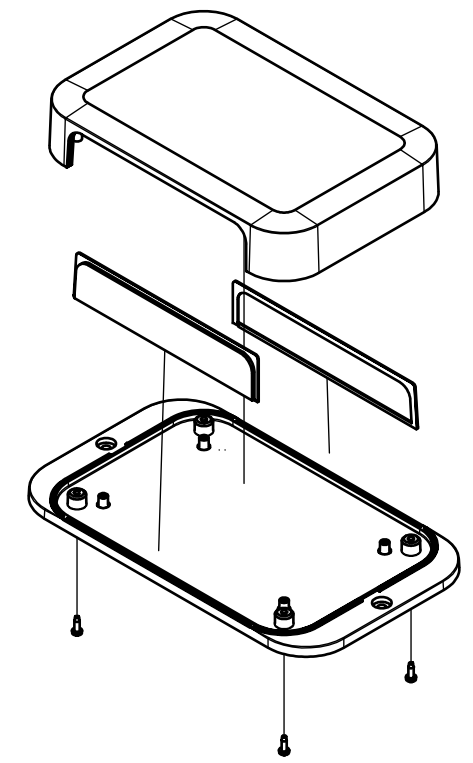




ISO VIEW  
3:11



 <b>CAMDENBOSS</b> JAMES CARTER RD, MILDENHALL, SUFFOLK. IP28 7DE TEL: 01638 716101 FAX: 01638 716554 EMAIL: Sales@CamdenBoss.com WEB: www.CamdenBoss.com				UNLESS OTHERWISE SPECIFIED: DIMENSIONS ARE IN MILLIMETERS		GENERAL TOLERANCES +/- 0.2		REVISION. ○		
				FINISH: LIGHT SPARK		TITLE: 94 SERIES Flanged Comms Box Size 13 White 120.4x205.4x35				
DRAWN S.WHITHEAD		SIGNED SW		DATE 15/06/17		MATERIAL: ABS UL94-VO		DWG NO. CDE9413WH		A4
CHK'D -		-		-		PROJECTION. 		SCALE: 3:11	SHEET 1 OF 1	DO NOT SCALE DRAWING