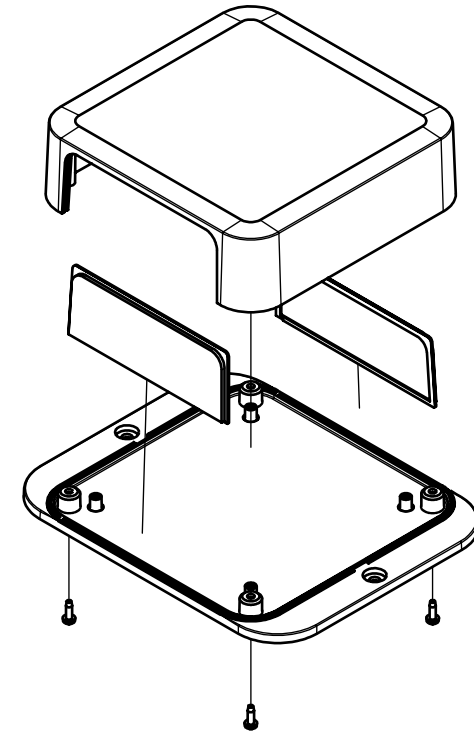




ISO VIEW
3.9



 CAMDENBOSS JAMES CARTER RD, MILDENHALL, SUFFOLK. IP28 7DE TEL: 01638 716101 FAX: 01638 716554 EMAIL: Sales@CamdenBoss.com WEB: www.CamdenBoss.com				UNLESS OTHERWISE SPECIFIED: DIMENSIONS ARE IN MILLIMETERS		GENERAL TOLERANCES +/- 0.2		REVISION. <input type="checkbox"/>			
				FINISH. LIGHT SPARK		TITLE: 94 SERIES Flanged Comms Box Size 08 White 125.3x155.3x40					
DRAWN S.WHITEHEAD		SIGNED SW		DATE 15/06/17		MATERIAL. ABS UL94-VO		DWG NO. CDE9408WH		A4	
CHK'D -		-		-		PROJECTION. 		SCALE. 3.9		SHEET 1 OF 1	DO NOT SCALE DRAWING

84-102-31.8