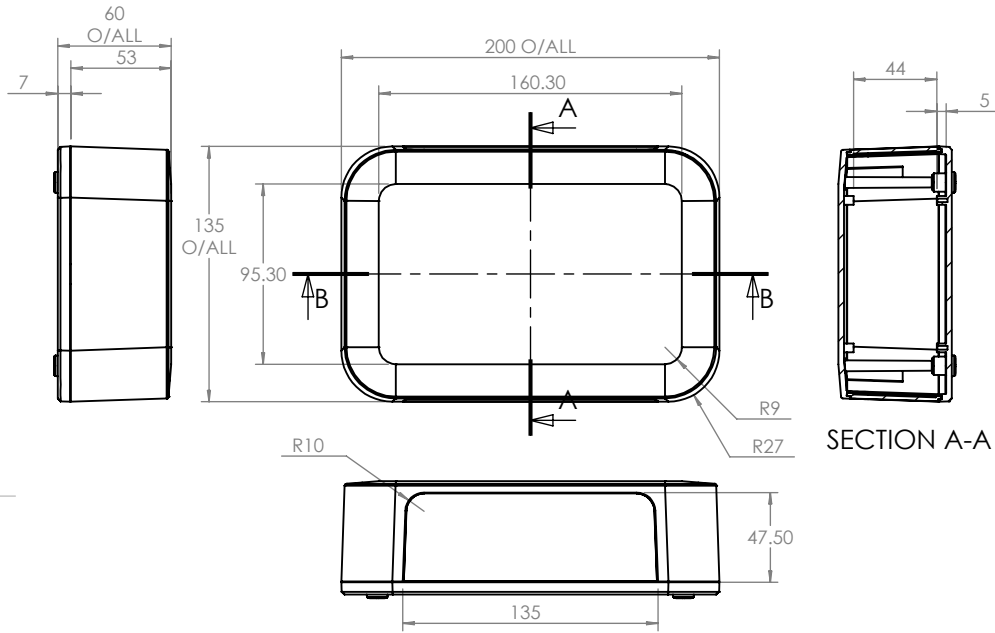
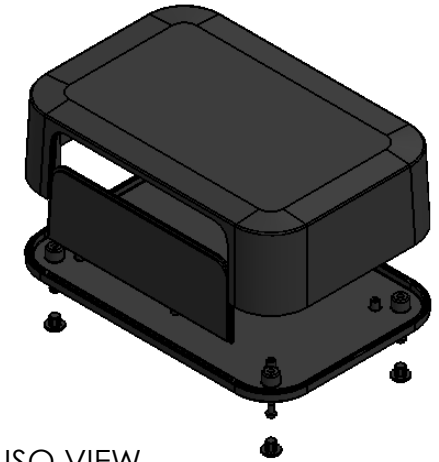
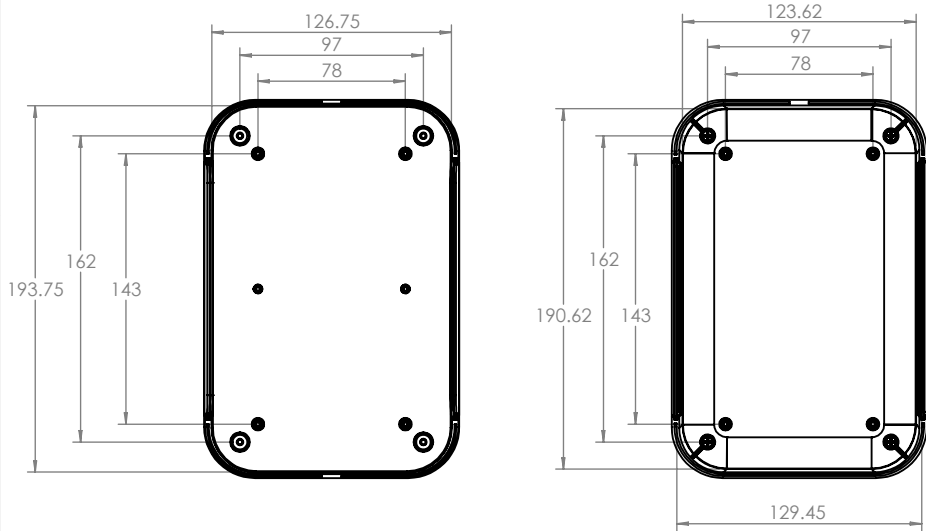
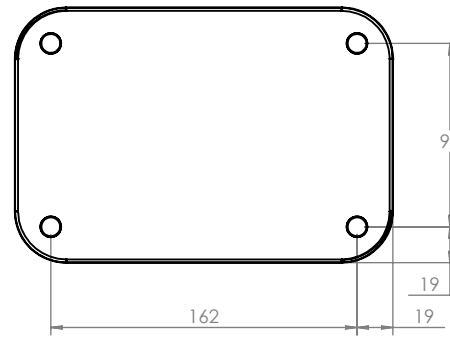


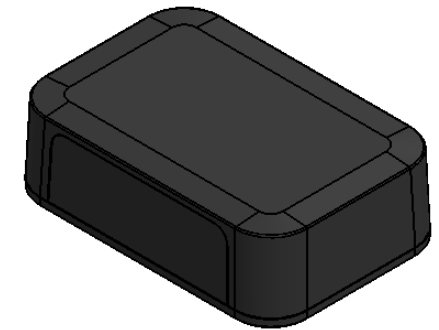
SECTION B-B





SECTION A-A



ISO VIEW  
1:4



|   |  |  |  |   |  |   |  |
|---|--|--|--|---|--|---|--|
| <br><b>CAMDENBOSS</b><br>JAMES CARTER RD, MILDENHALL, SUFFOLK. IP28 7DE<br>TEL: 01638 716101 FAX: 01638 716554<br>EMAIL: Sales@CamdenBoss.com<br>WEB: www.CamdenBoss.com |  | UNLESS OTHERWISE SPECIFIED:<br>DIMENSIONS ARE IN MILLIMETERS |  | DO NOT SCALE DRAWING                        |  | REVISION. ○   |  |
|   |  | GENERAL TOLERANCES +/- 0.2                                   |  | TITLE:<br><b>92 SERIES SIZE 6 COMMS BOX</b> |  |   |  |
| DRAWN IAN PAGANO  |  | SIGNED I.P.  |  | DATE 12/03/2015                             |  | MATERIAL:<br>ABS UL 94 - V0   |  |
| CHK'D DAN SMALLEY   |  | SIGNED D.S.  |  | DATE 16/03/15                               |  | PROJECTION.  |  |
|   |  |  |  | DWG NO.<br><b>CDE9206DG</b>                 |  | A4  |  |
|   |  |  |  | SCALE: 1:4                                  |  | SHEET 1 OF 1  |  |