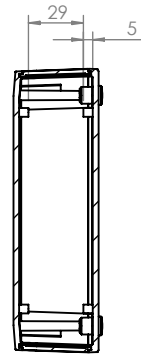
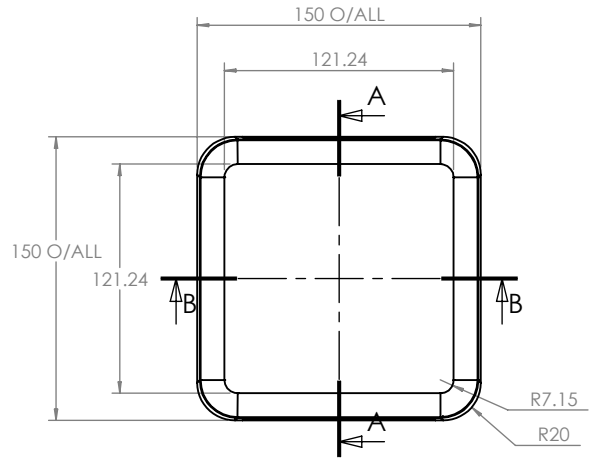
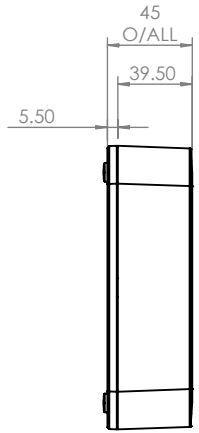
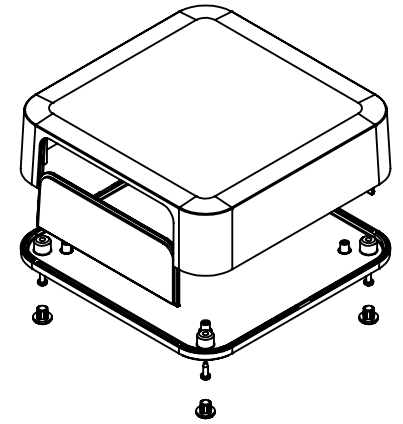
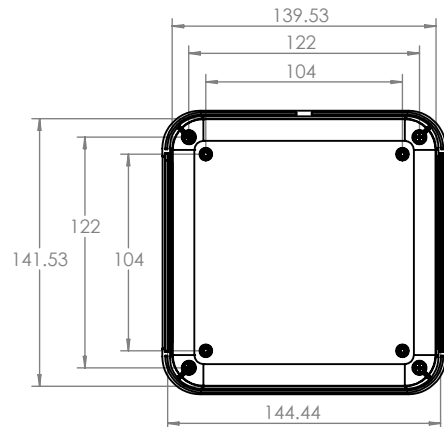
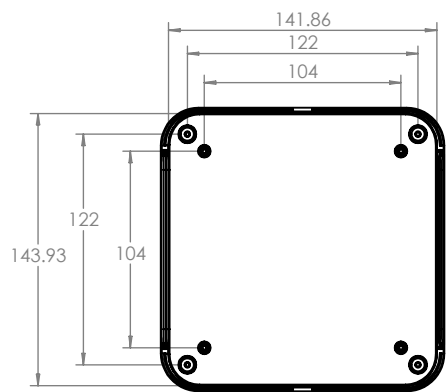
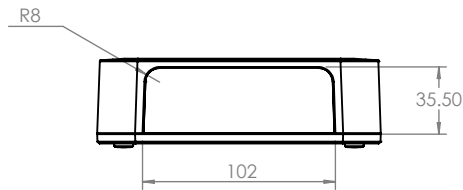
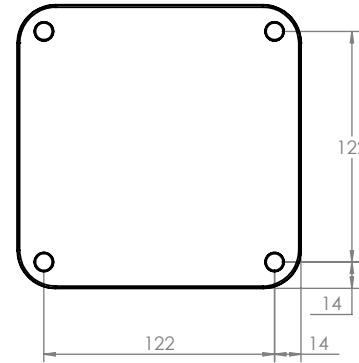


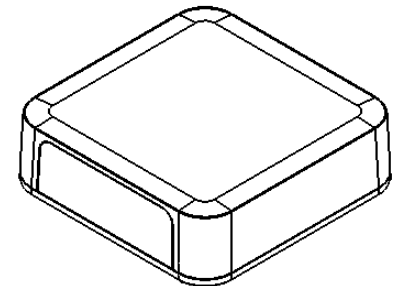
SECTION B-B





SECTION A-A



ISO VIEW
1:4



 CAMDENBOSS JAMES CARTER RD, MILDENHALL, SUFFOLK. IP28 7DE TEL: 01638 716101 FAX: 01638 716554 EMAIL: Sales@CamdenBoss.com WEB: www.CamdenBoss.com				UNLESS OTHERWISE SPECIFIED: DIMENSIONS ARE IN MILLIMETERS		DO NOT SCALE DRAWING		REVISION. <input type="checkbox"/>	
				GENERAL TOLERANCES +/- 0.2		TITLE: 92 SERIES SIZE 4 COMMS BOX			
				FINISH: LIGHT SPARK		DWG NO.		A4	
				MATERIAL: ABS UL 94 - V0		CDE9204WH			
DRAWN	IAN PAGANO	I.P.	12/03/15	PROJECTION. 		SCALE: 1:4		SHEET 1 OF 1	
CHK'D	DAN SMALLEY	D.S.	16/03/15						