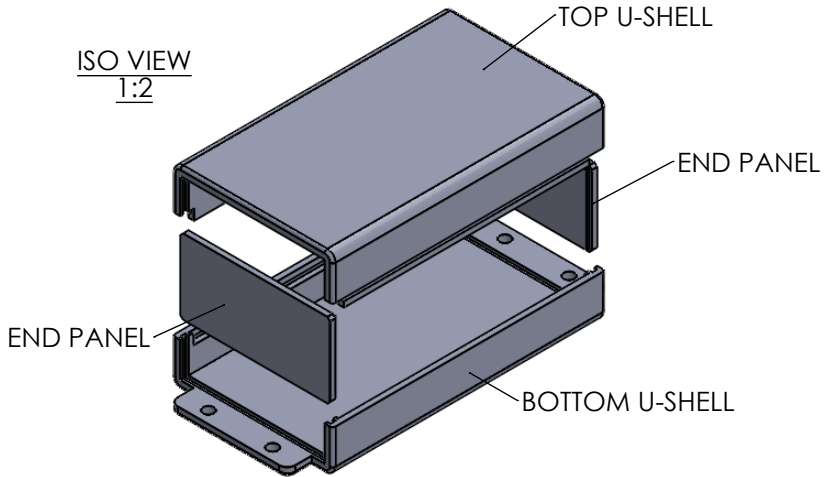




ISO VIEW  
1:2



SECTION A-A  
SCALE 3 : 4

SECTION B-B  
SCALE 3 : 4

 <b>CAMDENBOSS</b> JAMES CARTER RD, MILDENHALL, SUFFOLK. IP28 7DE TEL: 01638 716101 FAX: 01638 716554 EMAIL: Sales@CamdenBoss.com WEB: www.CamdenBoss.com		UNLESS OTHERWISE SPECIFIED: DIMENSIONS ARE IN MILLIMETERS	DO NOT SCALE DRAWING	REVISION. 0
		GENERAL TOLERANCES +/- 0.2	TITLE: <b>GENERAL ASSEMBLY DRAWING FOR 94x54x26mm FLANGED BASE ENCLOSURE</b>	
DRAWN	NAME MATTHEW WALLACE	SIGNED MJW	DATE 06/12/11	MATERIAL. <b>VAR</b>
CHKD	-	-	-	MATERIAL. <b>VAR</b>
PROJECTION. 				DWG NO. <b>7562 Flanged Base Enclosures</b>
				SCALE: 3 : 4
				SHEET 1 OF 1

A4