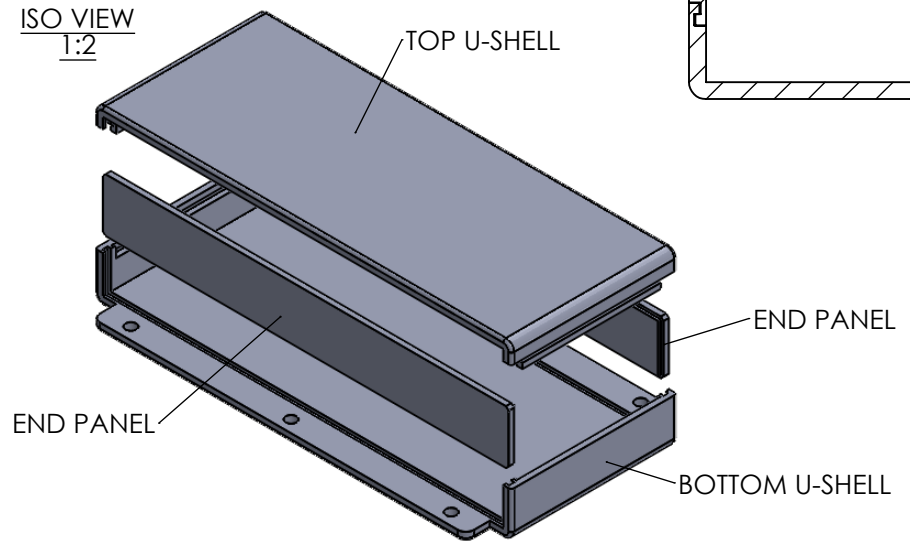



SECTION A-A  
SCALE 3 : 4

SECTION B-B  
SCALE 3 : 4

ISO VIEW  
1:2



 <b>CAMDENBOSS</b> JAMES CARTER RD, MILDENHALL, SUFFOLK. IP28 7DE TEL: 01638 716101 FAX: 01638 716554 EMAIL: Sales@CamdenBoss.com WEB: www.CamdenBoss.com		UNLESS OTHERWISE SPECIFIED: DIMENSIONS ARE IN MILLIMETERS	DO NOT SCALE DRAWING	REVISION. 0		
		GENERAL TOLERANCES +/- 0.2	TITLE: <b>GENERAL ASSEMBLY DRAWING FOR 54x150x18mm FLANGED BASE ENCLOSURE</b>			
DRAWN	NAME	SIGNED	DATE	MATERIAL.	DWG NO.	A4
CHKD	MATTHEW WALLACE	MJW	06/12/11	VAR	<b>7561 Flanged Base Enclosures</b>	
				FINISH.	SCALE: 3 : 4	SHEET 1 OF 1
				PROJECTION.	